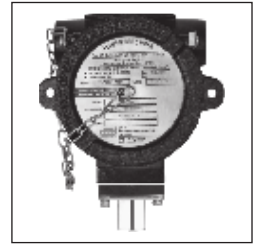
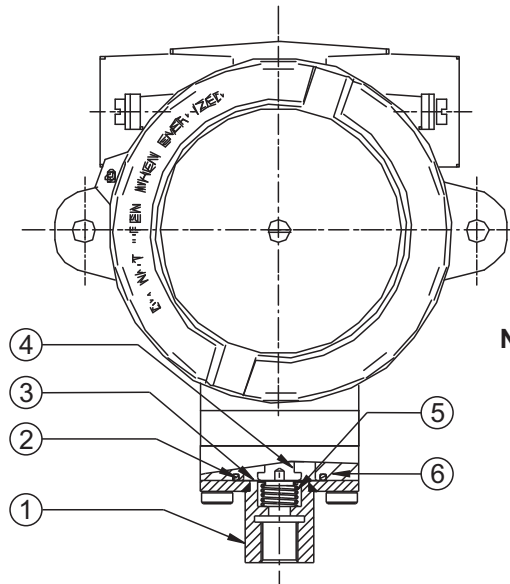




FE



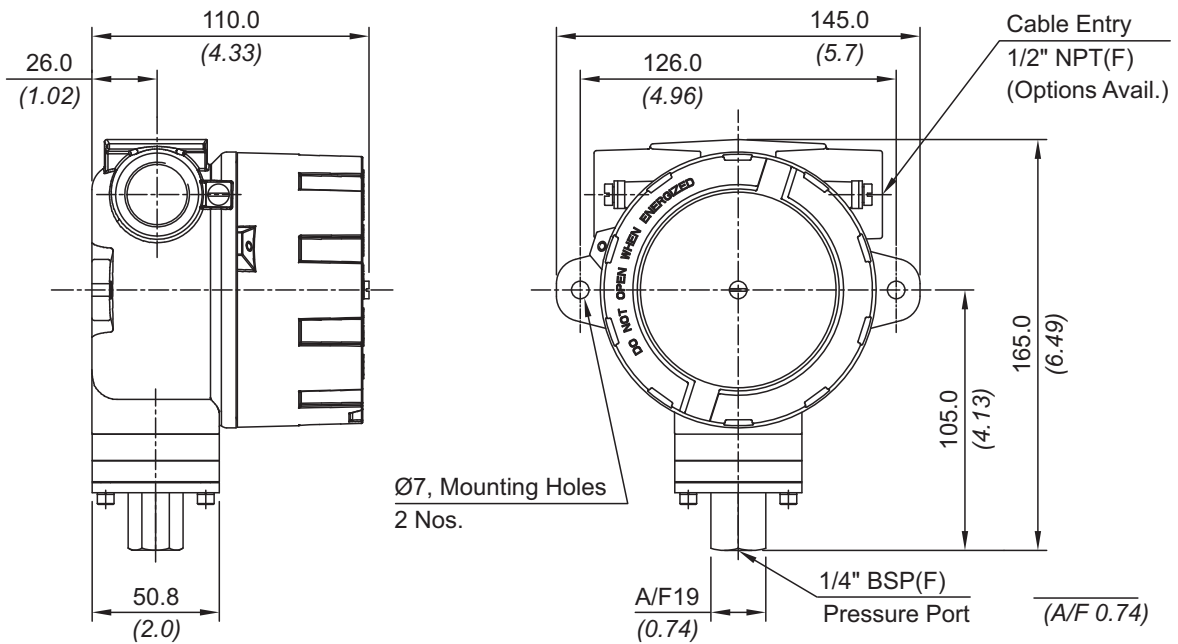
PRESSURE CAPSULE DETAILS



- No. Description**
1. Pressure Housing
 2. Teflon® O-Ring
 3. Diaphragm
 4. Conical Plunger
 5. Bottom Spring
 6. Support Plate

Note : *wetted parts* are mentioned in italics.

INSTALLATION DRAWING



APPROX. DIMENSIONS IN $\frac{\text{mm}}{\text{inches}}$