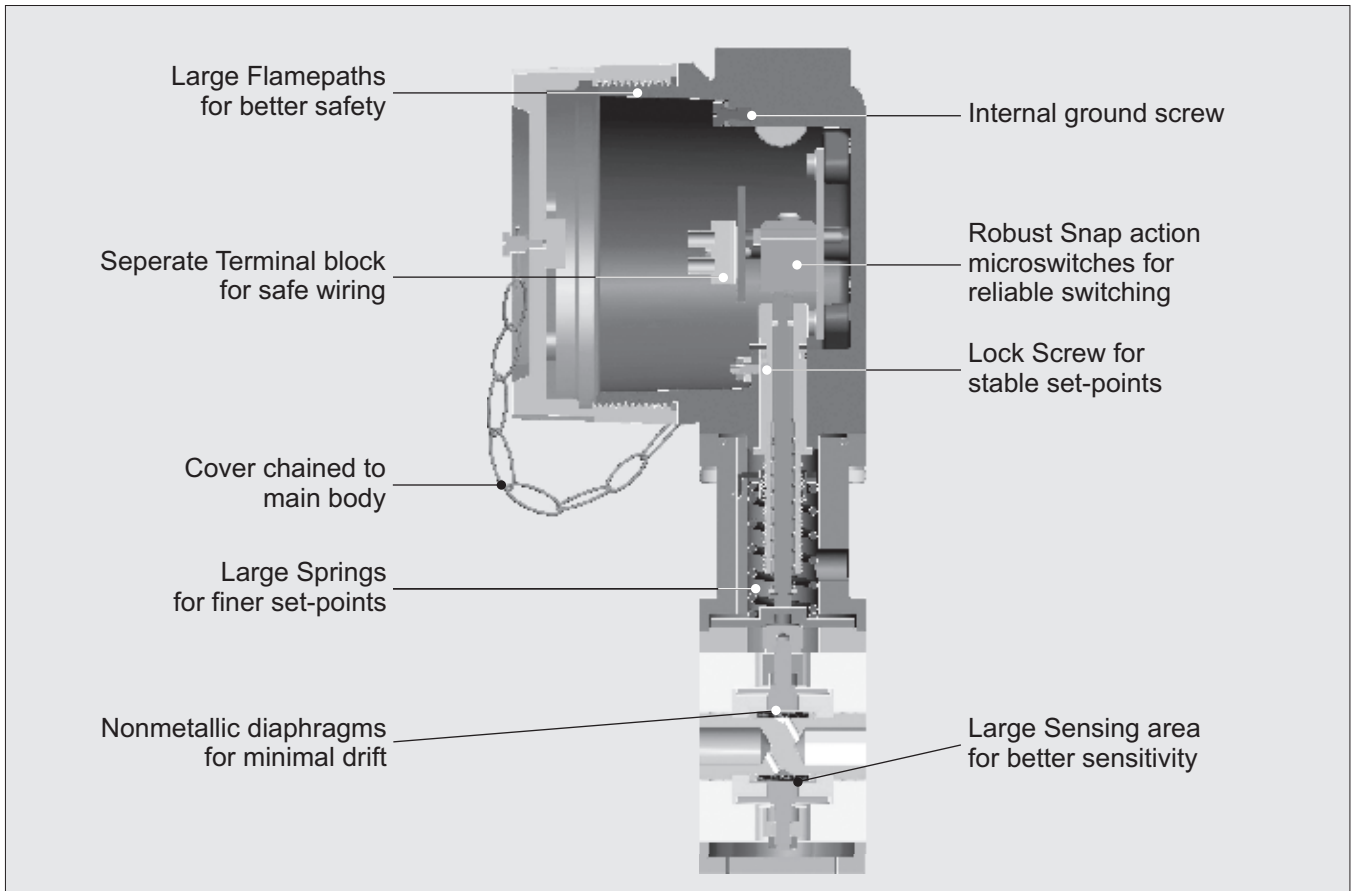


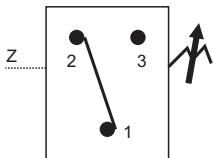
# FC HIGH RANGE DP



## Approximate Weight :

Pressure difference switches with Aluminium enclosure : 2.70 Kg.  
Pressure difference switches with Grey CI enclosure : 5.10 Kg.  
Pressure difference switches with SS enclosure : 5.25 Kg.

## Electrical Connection :

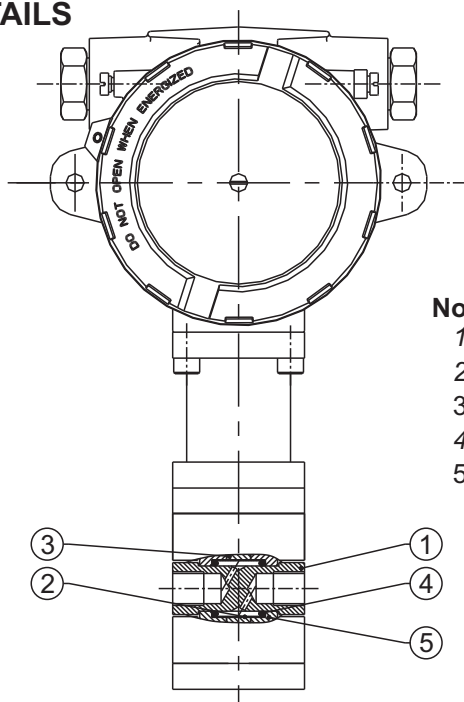


## Some Applications :

Applications requiring high static/system pressure but low pressure difference.



## PRESSURE CAPSULE DETAILS

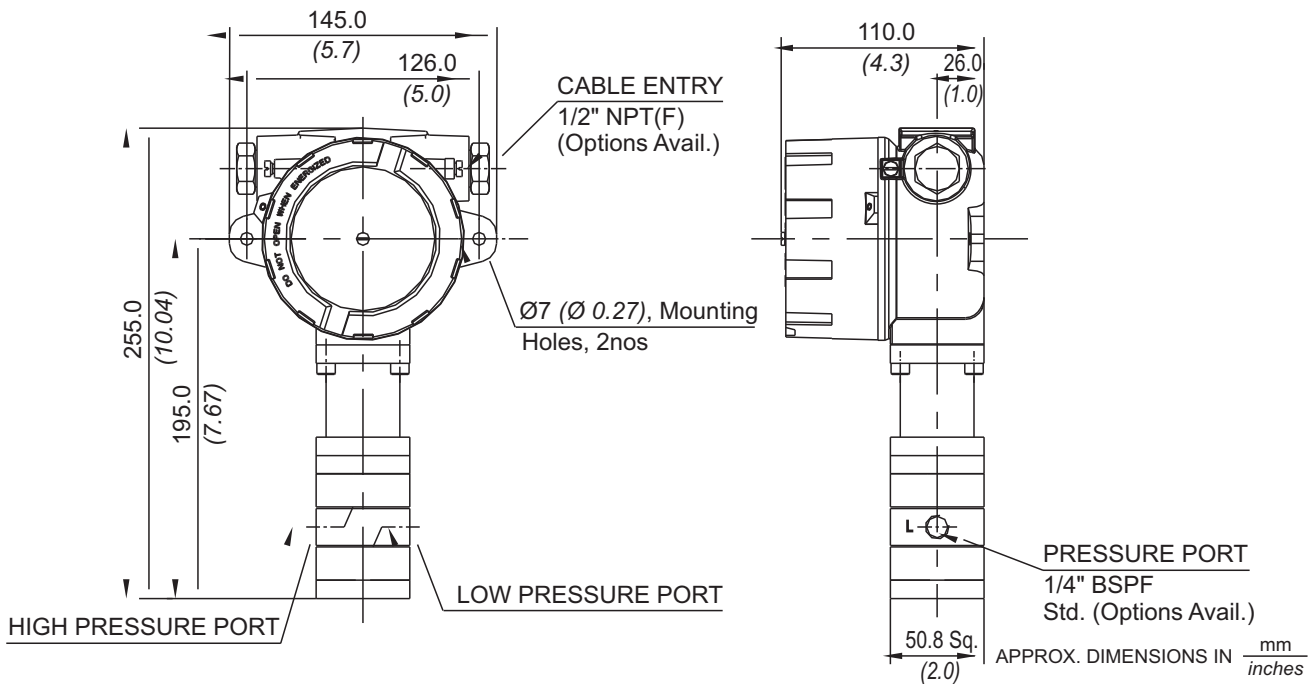


### No. Description

1. Pressure Housing
2. Diaphragm
3. Plunger
4. O-Ring
5. Disc

Note : *wetted parts* are mentioned in italics.

## INSTALLATION DRAWING



# FC HIGH RANGE DP

## RANGE SELECTION TABLE

Range Code	Range bar (psi)	Differential* bar (psi)	Maximum Working Pressure bar (psi)
		Approximate Maximum for "A1" microswitch	
D01	0.1 - 1.0 (1.45 - 14.50)	0.10 (1.45)	70 (1015.26)
D02	0.1 - 1.5 (1.45 - 21.76)	0.12 (1.74)	70 (1015.26)
D03	0.2 - 2.6 (2.90 - 37.71)	0.17 (2.46)	70 (1015.26)
D04	0.2 - 3.6 (2.90 - 52.21)	0.10 (1.45)	70 (1015.26)
D07	0.5 - 7.0 (7.25 - 101.50)	0.20 (2.9)	70 (1015.26)
D10	0.5 - 10.0 (7.25 - 145.037)	0.20 (2.9)	70 (1015.26)
D15	1.0 - 15.0 (14.50 - 217.56)	0.50 (7.25)	70 (1015.26)
D30	5.0 - 25.0 (72.52 - 362.59)	0.50 (7.25)	70 (1015.26)

\*Minimum differential increases with setpoint, values with neoprene diaphragm (Graphs available on request)

\* Differentials of microswitches A2 through A9 will vary. Differentials for A7 are typically twice that for A1 microswitch. Please indicate specifically the differential value in enquiry/order, when it is critical in your application.

## HOW TO ORDER FLAMEPROOF HIGH RANGE DP SWITCHES

Group 1	Group 2	Group 3	Group 4	Group 5	Group 6	Group 7	Group 8
Non standard allocation	Gas Group Classification	Cable Entry Size	Switch Type	Range Code (values in bar)	Microswitch Type	Pressure Port Material / Size	Diaphragm
<input type="checkbox"/> Reserved for non-standard options not covered in catalogue. Will be given by manufacturer, only after agreement of supply details with customer.	<b>FC</b> = Flameproof pressure switch, ATEX & IECEx approved, with Aluminium head as per IS/IEC 60079-1 for Gas Gr. IIC	<b>1</b> = Al. head 1/2" NPT threads <b>2</b> = Al. head 3/4" NPT threads <b>3</b> = Al. head M20 x 1.5 threads <b>4</b> = Grey CI head 1/2" NPT threads <b>5</b> = Grey CI head 3/4" NPT threads <b>6</b> = Grey CI head M20 x 1.5 threads <b>7</b> = SS head 1/2" NPT threads <b>8</b> = SS head 3/4" NPT threads <b>9</b> = SS head M20 x 1.5 threads	<b>D1</b> = pressure difference switch, fixed differential without scale <b>D2</b> = pressure difference switch, fixed differential with scale in bar <b>D3</b> = pressure difference switch, fixed differential with scale in psi <b>D10</b> = pressure difference switch, fixed differential with scale in psi <b>D15</b> = pressure difference switch, fixed differential with scale in psi <b>D30</b> = pressure difference switch, fixed differential with scale in psi	<b>D01</b> = (0.1 - 1.0) <b>D02</b> = (0.1 - 1.5) <b>D03</b> = (0.2 - 2.6) <b>D04</b> = (0.2 - 3.6) <b>D07</b> = (0.5 - 7.0) <b>D10</b> = (0.5 - 10.0) <b>D15</b> = (1.0 - 15.0) <b>D30</b> = (5.0 - 25.0)	<b>A1</b> = General purpose microswitch rated at 15A; 250 VAC <b>A2</b> = Hermetically sealed for corrosive environments <b>A3</b> = gold plated contacts for low voltage applications <b>A4</b> = DPDT configuration <b>A5</b> = for high DC ratings <b>A6</b> = elements with adjustable deadband <b>A7</b> = 2SPDT switching elements <b>A9</b> = General purpose microswitch rated at 5A; 250 VAC  Please refer page no. 230 for more microswitch options * Please refer note under Range Selection Table	<b>S1</b> = SS316 / 1/4" BSP(F) <b>S2</b> = SS316 / 1/4" NPT(F) <b>N1</b> = Monel / 1/4" BSP(F) <b>N2</b> = Monel / 1/4" NPT(F) <b>I1</b> = Inconel / 1/4" BSP(F) <b>I2</b> = Inconel / 1/4" NPT(F)  Please refer page no. 226 & 227 for more pressure port options	<b>0</b> = Neoprene <b>1</b> = Teflon <b>2</b> = SS316L <b>4</b> = Monel <b>7</b> = Inconel
						For additional wetted parts please refer Pressure Capsule Details on Page 55	

eg. A flameproof switch for gas group IIC, with 1/2" NPT cable entry in aluminium housing as 1SPDT pressure difference switch, having 0.1 bar to 1 bar pressure range, with 15Amp. microswitch, SS316 pressure housing with 1/4" BSP port size & neoprene diaphragm shall be specified by

Group 1	Group 2	Group 3	Group 4	Group 5	Group 6	Group 7	Group 8
<input type="checkbox"/>	FC	1	D1	D01	A1	S1	0

Please specify full model number to avoid ambiguity. If only the first two groups are specified while ordering, uncalibrated switches with standard wetted parts and enclosures will be supplied.