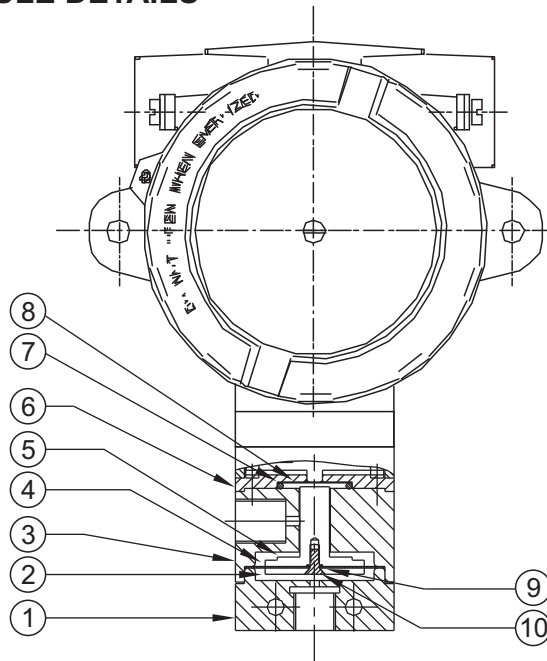




FE



PRESSURE CAPSULE DETAILS

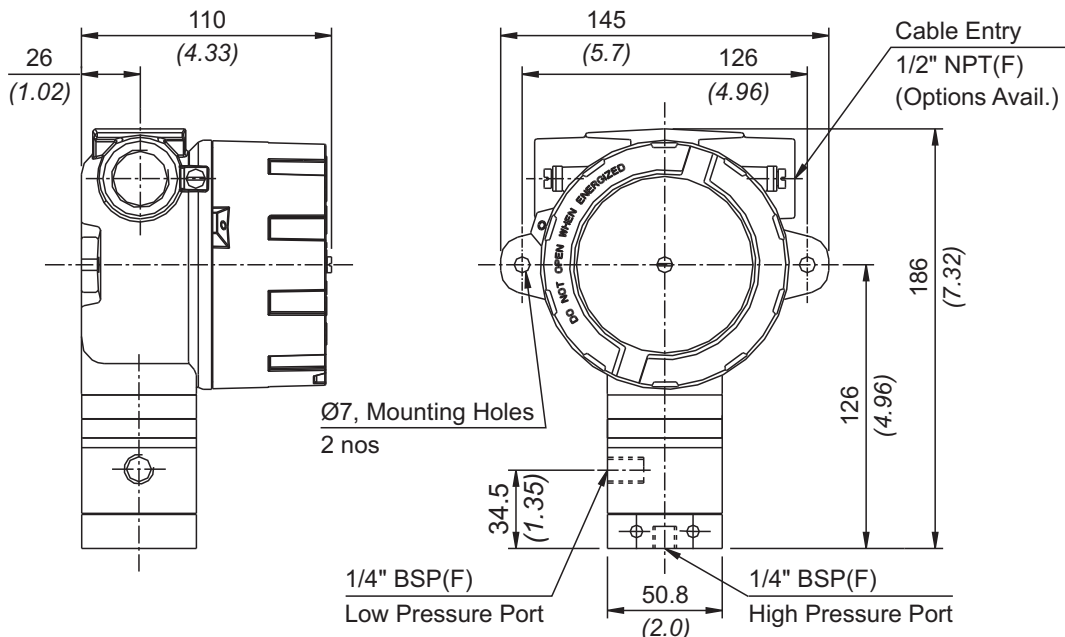


No. Description

1. Pressure Housing
2. HP Plunger (SS316)
3. Disc
4. Diaphragm
5. LP Plunger (SS316)
6. Junction Plate
7. Sealing 'O' Ring (Teflon)
8. Sealing diaphragms (Teflon)
9. 'O' ring (Teflon)
10. CSK screw (SS)

Note : *wetted parts* are mentioned in italics.

INSTALLATION DRAWING



APPROX. DIMENSIONS IN $\frac{\text{mm}}{\text{inches}}$