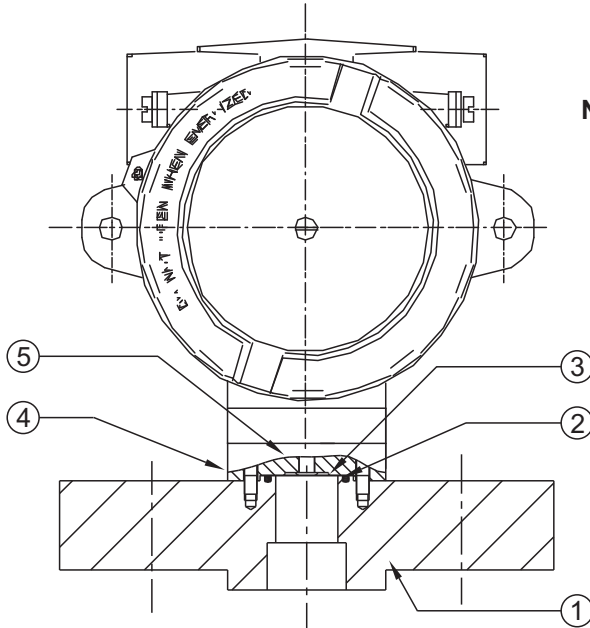




FE



PRESSURE CAPSULE DETAILS



No. Description

1. ANSI FLANGE to your specifications
please refer table for possible combinations
2. Sealing Ring
3. Diaphragm
4. Disc
5. Plunger

Note : wetted parts are mentioned in italics.

INSTALLATION DRAWING

