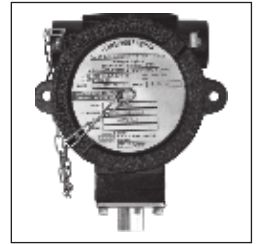
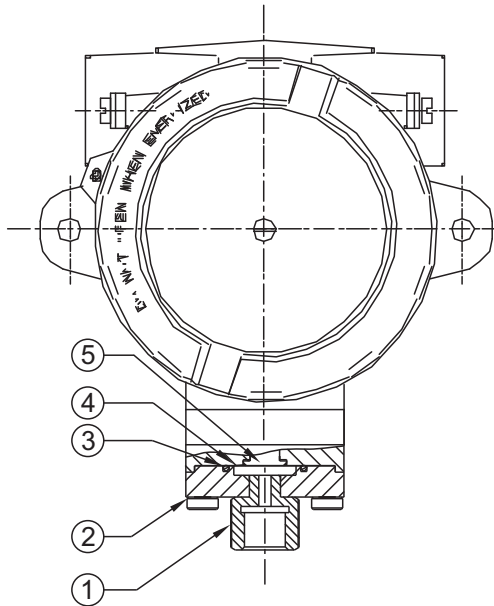




FE



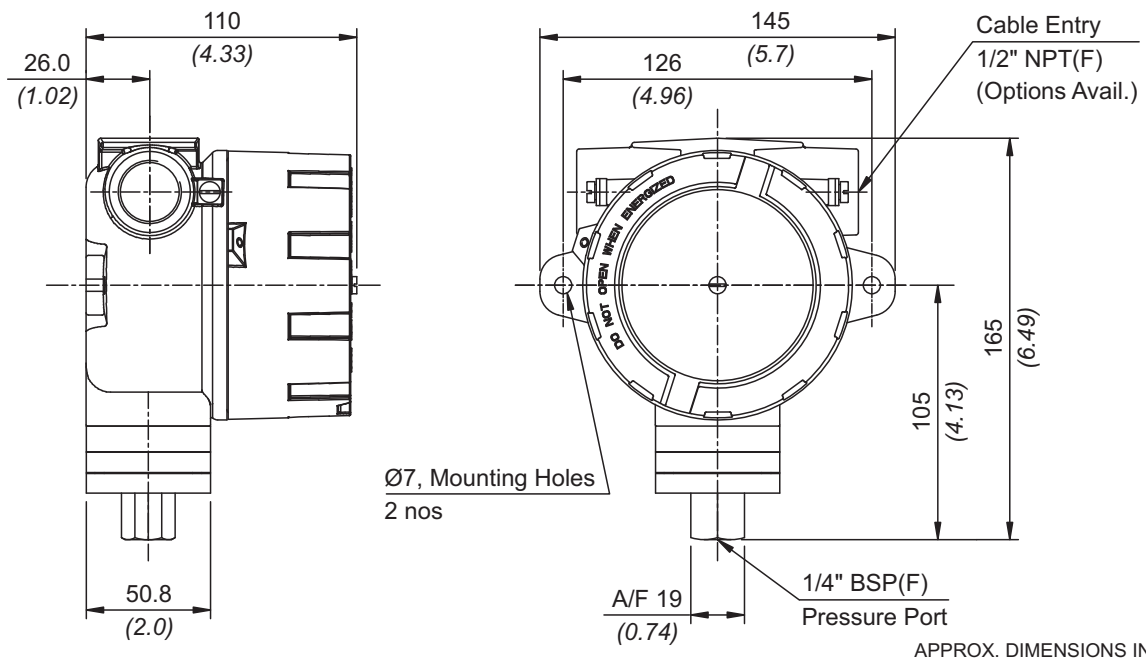
PRESSURE CAPSULE DETAILS



- | No. | Description |
|-----|--------------------|
| 1. | High Pressure Port |
| 2. | Housing Plate |
| 3. | Teflon® O-Ring |
| 4. | Diaphragm |
| 5. | Conical Plunger |

Note : *wetted parts* are mentioned in italics.

INSTALLATION DRAWING



APPROX. DIMENSIONS IN $\frac{\text{mm}}{\text{inches}}$