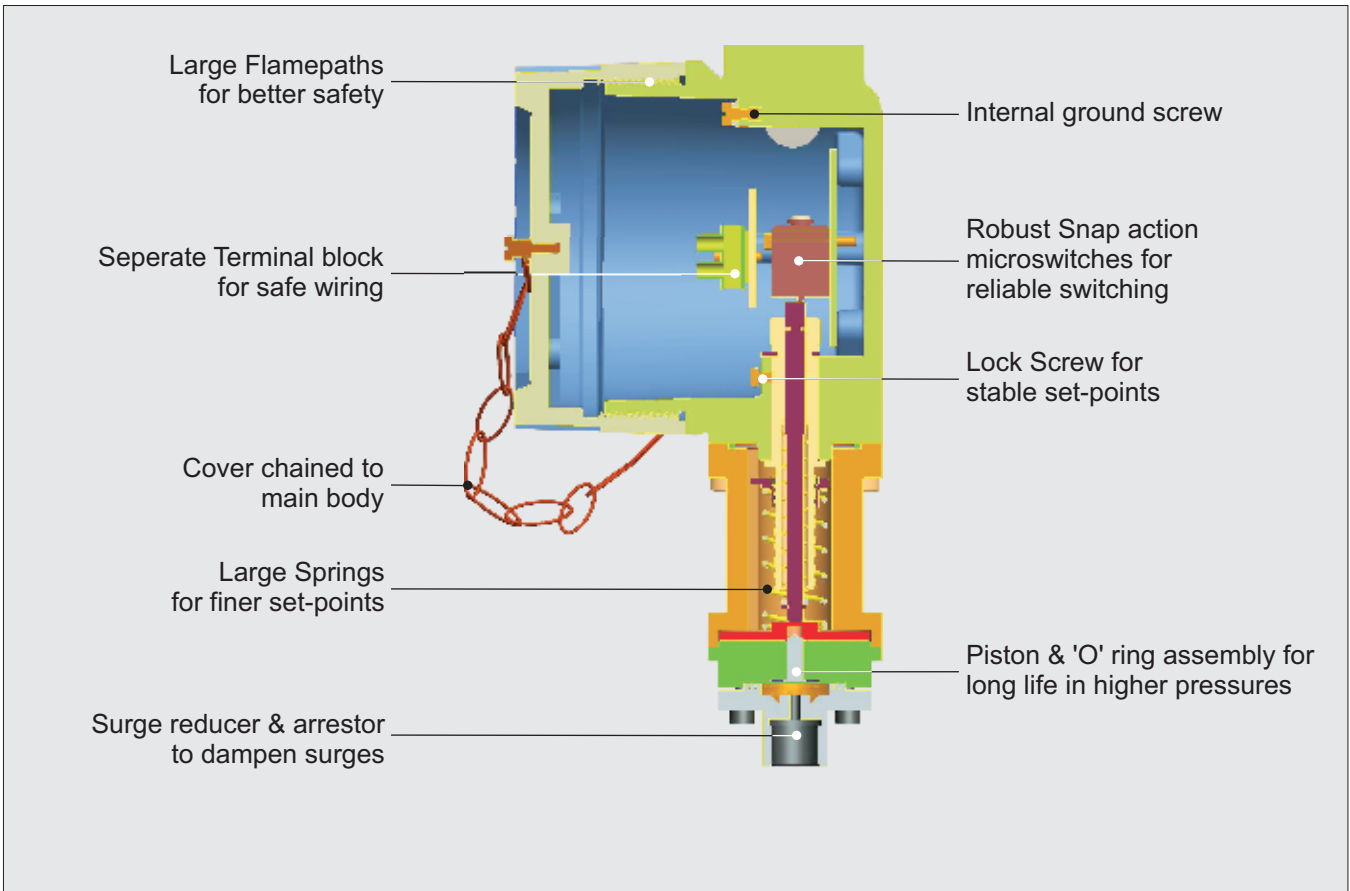


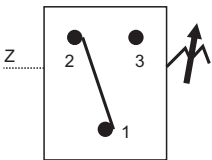
FC HYDRAULIC RANGES



Approximate Weight :

- Pressure switches with Aluminium enclosure : 1.95 Kg.
- Pressure switches with Grey CI enclosure : 4.35 Kg.
- Pressure switches with SS enclosure : 4.45 Kg.

Electrical Connection :

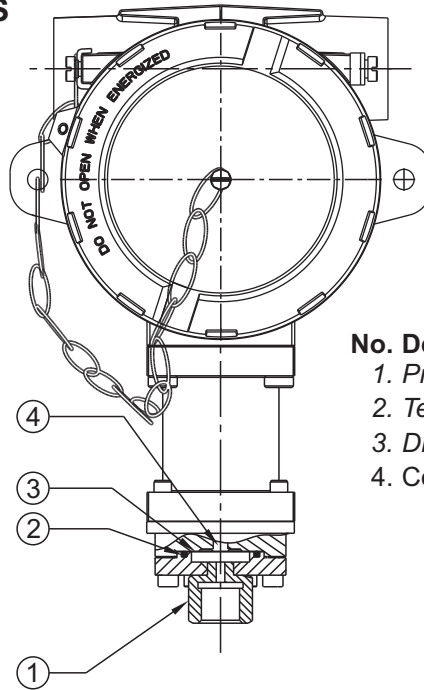


Some Applications :

For high pressure cylinder testing jigs, CNG/LPG gas skids, high pressure compressors, etc.



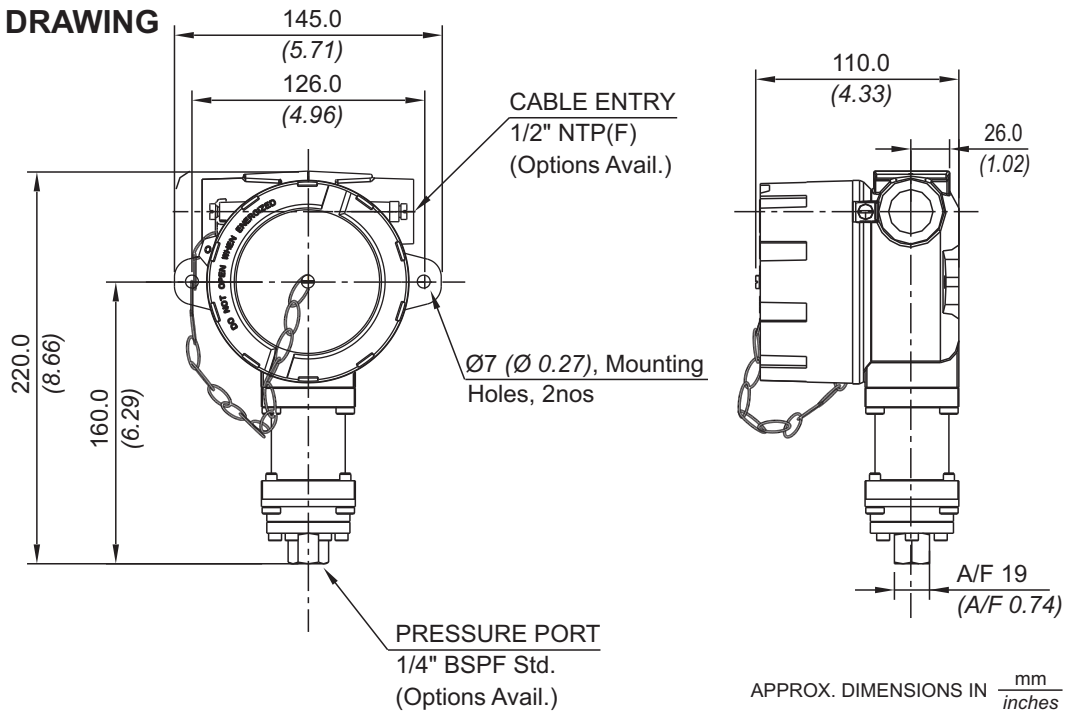
PRESSURE CAPSULE DETAILS



- No. Description**
1. *Pressure Port*
 2. *Teflon® O-Ring*
 3. *Diaphragm*
 4. *Conical Plunger*

Note : *wetted parts* are mentioned in italics.

INSTALLATION DRAWING



FC HYDRAULIC RANGES

RANGE SELECTION TABLE

Range Code	Range bar (psi)	Differential* bar (psi)	Maximum Working Pressure bar (psi)
		Approximate Maximum for "A1" microswitch	
H1T	0.5 - 10 (7.25 - 145.04)	0.5 (7.25)	150 (2175.00)
H2T	2 - 20 (29.00 - 290.08)	2 (29.00)	200 (2900.76)
H4T	5 - 40 (72.52 - 580.15)	5 (72.52)	200 (2900.76)
H1H	10 - 100 (145.04 - 1450.38)	12 (174.045)	200 (2900.76)
H2H	7 - 200 (101.53 - 2900.76)	24 (348.09)	400 (5801.52)
H4H	40 - 400 (580.15 - 5801.52)	70 (1015.27)	500 (7251.90)

* Minimum differential increases with setpoint (Graphs available on request)

* Differentials of microswitches A2 through A9 will vary. Differentials for A7 are typically twice that for A1 microswitch. Please indicate specifically the differential value in enquiry/order, when it is critical in your application.

HOW TO ORDER FLAMEPROOF HYDRAULIC RANGE PRESSURE SWITCHES

Group 1	Group 2	Group 3	Group 4	Group 5	Group 6	Group 7	Group 8
Non standard allocation	Gas Group Classification	Cable Entry Size	Switch Type	Range Code (values in bar)	Microswitch Type	Pressure Port Material / Size	Diaphragm
<input type="checkbox"/> Reserved for non-standard options not covered in catalogue. Will be given by manufacturer, only after agreement of supply details with customer.	FC = Flameproof pressure switch, ATEX & IECEx approved, with Aluminium head as per IS/IEC 60079-1 for Gas Gr. IIC	1 = Al. head 1/2" NPT threads 2 = Al. head 3/4" NPT threads 3 = Al. head M20 x 1.5 threads 4 = Grey CI head 1/2" NPT threads 5 = Grey CI head 3/4" NPT threads 6 = Grey CI head M20 x 1.5 threads 7 = SS head 1/2" NPT threads 8 = SS head 3/4" NPT threads 9 = SS head M20 x 1.5 threads	P1 = pressure switch, fixed differential without scale P2 = pressure switch, fixed differential with scale in bar P3 = pressure switch, fixed differential with scale in psi	H1T = (0.5 - 10) H2T = (2 - 20) H4T = (5 - 40) H1H = (10 - 100) H2H = (7 - 200) H4H = (40 - 400)	A1 = General purpose microswitch rated at 15 A; 250 VAC A2 = Hermetically sealed for corrosive environments A3 = gold plated contacts for low voltage applications A4 = DPDT configuration A5 = for high DC ratings A6 = elements with adjustable deadband A7 = 2SPDT switching elements A8 = General purpose microswitch rated at 5 A; 250 VAC A9 = General purpose microswitch rated at 5 A; 250 VAC Please refer page no. 230 for more microswitch options * Please refer note under Range Selection Table	S1 = SS316 / 1/4" BSP(F) S2 = SS316 / 1/4" NPT(F)	0 = Neoprene 1 = Teflon 2 = SS 316L 3 = Hastelloy C 4 = Monel 5 = Titanium 6 = Tantalum 7 = Inconel

eg. A flameproof switch for gas group IIC, with 1/2" NPT cable entry in aluminium housing as 1SPDT pressure switch, having 5 bar to 40 bar pressure range, with 15Amp. microswitch, SS316 pressure housing with 1/4" BSP port size & SS316L diaphragm shall be specified by

Group 1	Group 2	Group 3	Group 4	Group 5	Group 6	Group 7	Group 8
<input type="checkbox"/>	FC	1	P1	H4T	A1	S1	2

Please specify full model number to avoid ambiguity. If only the first two groups are specified while ordering, uncalibrated switches with standard wetted parts and enclosures will be supplied.