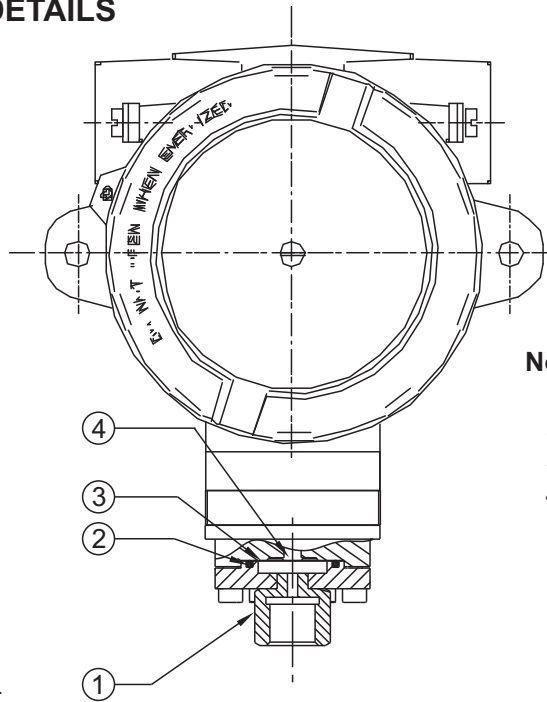




## FE



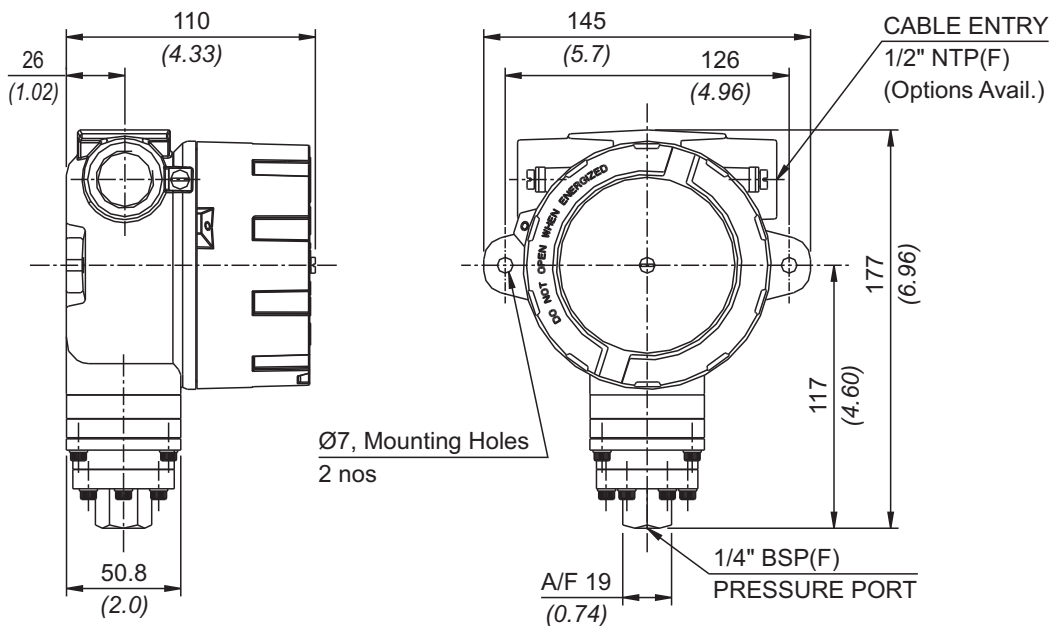
### PRESSURE CAPSULE DETAILS



- | No. | Description     |
|-----|-----------------|
| 1.  | Pressure Port   |
| 2.  | Teflon® O-Ring  |
| 3.  | Diaphragm       |
| 4.  | Conical Plunger |

Note : *wetted parts* are mentioned in italics.

### INSTALLATION DRAWING



APPROX. DIMENSIONS IN  $\frac{\text{mm}}{\text{inches}}$