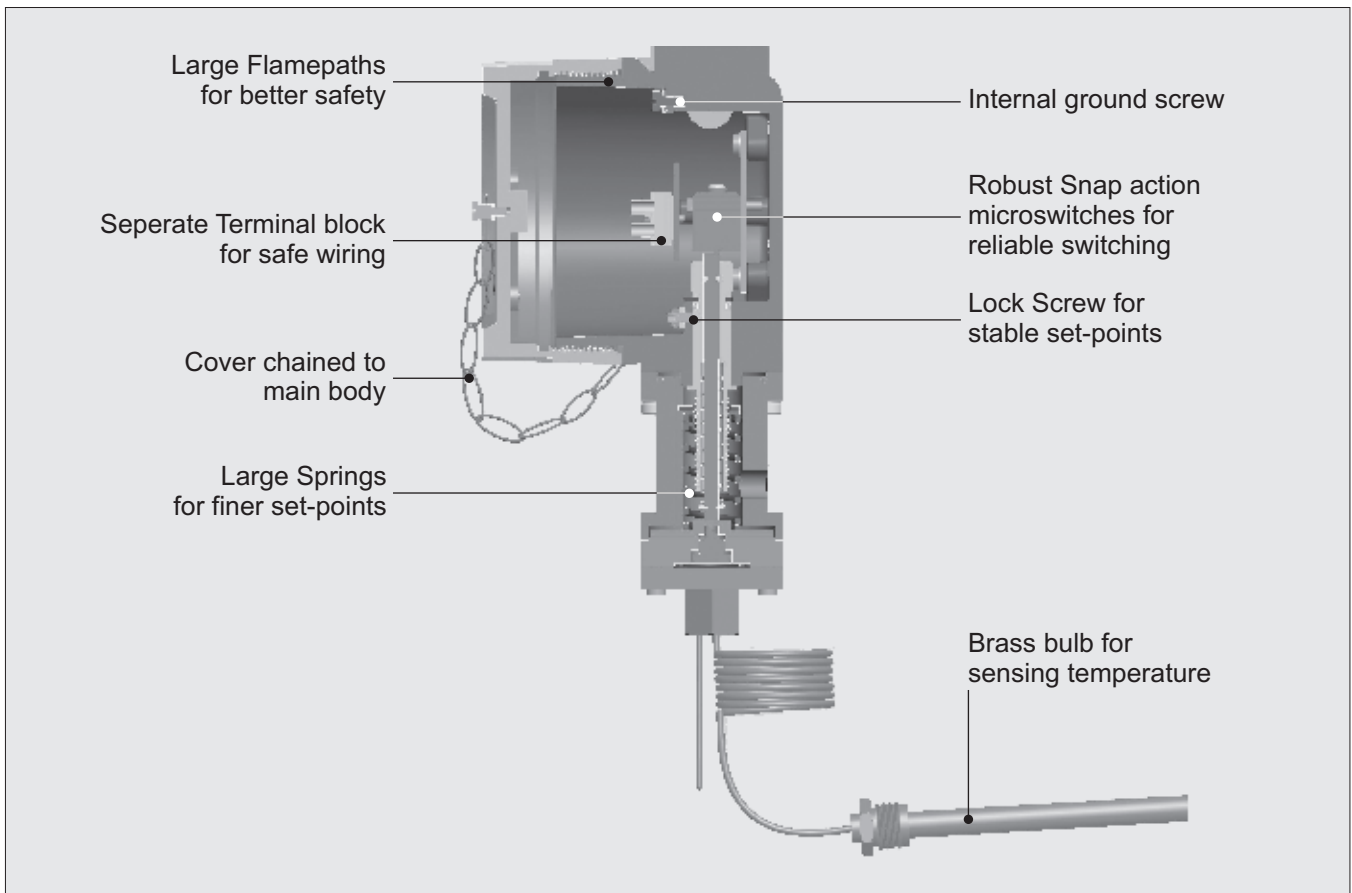


# FC TEMPERATURE SWITCHES

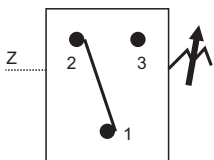


## Approximate Weight :

Pressure switches with Aluminium enclosure : 2.5 Kg.

Pressure switches with SS enclosure : 5.1 Kg.

## Electrical Connection :

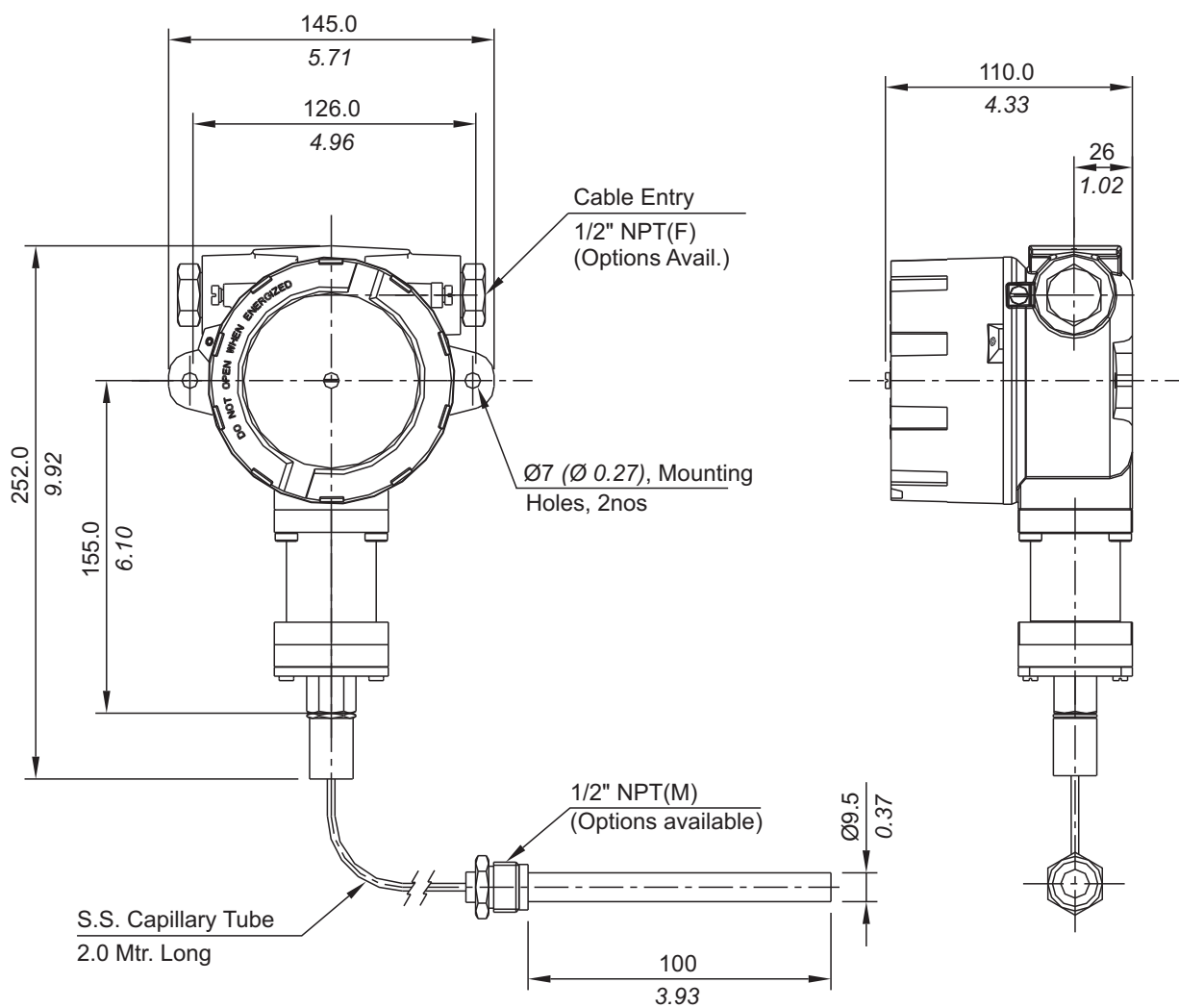


## Some Applications :

To detect limiting temperature levels in hazardous areas.



## INSTALLATION DRAWING



APPROX. DIMENSIONS IN  $\frac{\text{mm}}{\text{inches}}$

# FC TEMPERATURE SWITCHES

## RANGE SELECTION TABLE

Range Code	Range °C (°F)	Differential* °C (°F)	Maximum Working Temperature °C (°F)
		Approximate Maximum for "A1" microswitch	
T1H	25 - 90 (77 - 194)	15 (59)	150 (302)
T2H	70 - 150 (158 - 302)	20 (68)	200 (392)
T3H	120 - 215 (248 - 419)	30 (86)	300 (572)

\* Approximate differential at midrange for A1 microswitch. Differentials increase with setpoint. Differentials vary with microswitch combinations. Please consult sales office for details

## HOW TO ORDER FLAMEPROOF TEMPERATURE SWITCHES

Group 1	Group 2	Group 3	Group 4	Group 5	Group 6	Group 7	Group 8
Non standard allocation	Gas Group Classification	Cable Entry Size	Switch Type	Range Code (values in Deg. Cen.)	Microswitch Type	Temp. Bulb Material / Size	Capillary Material / Size
<input type="checkbox"/> Reserved for Non-standard Options not covered in Catalogue. Will Be given by Manufacturer, Only after Agreement of Supply details With customer.	<b>FC</b> = Flameproof temperature switch, ATEX & IECEx approved, with Aluminium head as per IS/IEC 60079-1 for Gas Gr. IIC	<b>1</b> = Al. head 1/2" NPT threads <b>2</b> = Al. head 3/4" NPT threads <b>3</b> = Al. head M20 x 1.5 threads <b>7</b> = SS head 1/2" NPT threads <b>8</b> = SS head 3/4" NPT threads <b>9</b> = SS head M20 x 1.5 threads	<b>T1</b> = Temperature Switch, fixed differential without scale <b>T2</b> = Temperature Switch, fixed differential with scale in °C	<b>T1H</b> = 25 - 90 <b>T2H</b> = 70 - 150 <b>T3H</b> = 120 - 215	<b>A1</b> = General purpose microswitch rated at 15 A; 250 VAC <b>A6</b> = Elements with adjustable differential <b>A7</b> = 2SPDT switching elements <b>B6</b> = Hermetically Sealed Gold Plated contact 2SPDT	<b>B1</b> = Brass / Dia. 9.5 mm, 123 mm length, with 3/8" BSP (M) thermowell connection <b>B2</b> = Brass / Dia. 9.5 mm, 123 mm length, with 3/8" NPT (M) thermowell connection <b>B3</b> = Brass / Dia. 9.5 mm, 123 mm length, with 1/2" NPT (M) thermowell connection	<b>2</b> = SS316 / 2.0 meter

E.g. A Flameproof Temperature switch, with 1/2"NPT cable entry in aluminum housing as 1 SPDT, fixed differential without scale, having 25°C to 90°C temperature range, with 15 Amp. microswitch, with Brass 9.5 mm diameter bulb, having length 123 mm with 3/8"BSP(M), with 2.0 meter SS316 capillary length shall be specified by

Group 1	Group 2	Group 3	Group 4	Group 5	Group 6	Group 7	Group 8
<input type="checkbox"/>	FC	1	T1	T1H	A1	B1	2

Please specify full model number to avoid ambiguity.