

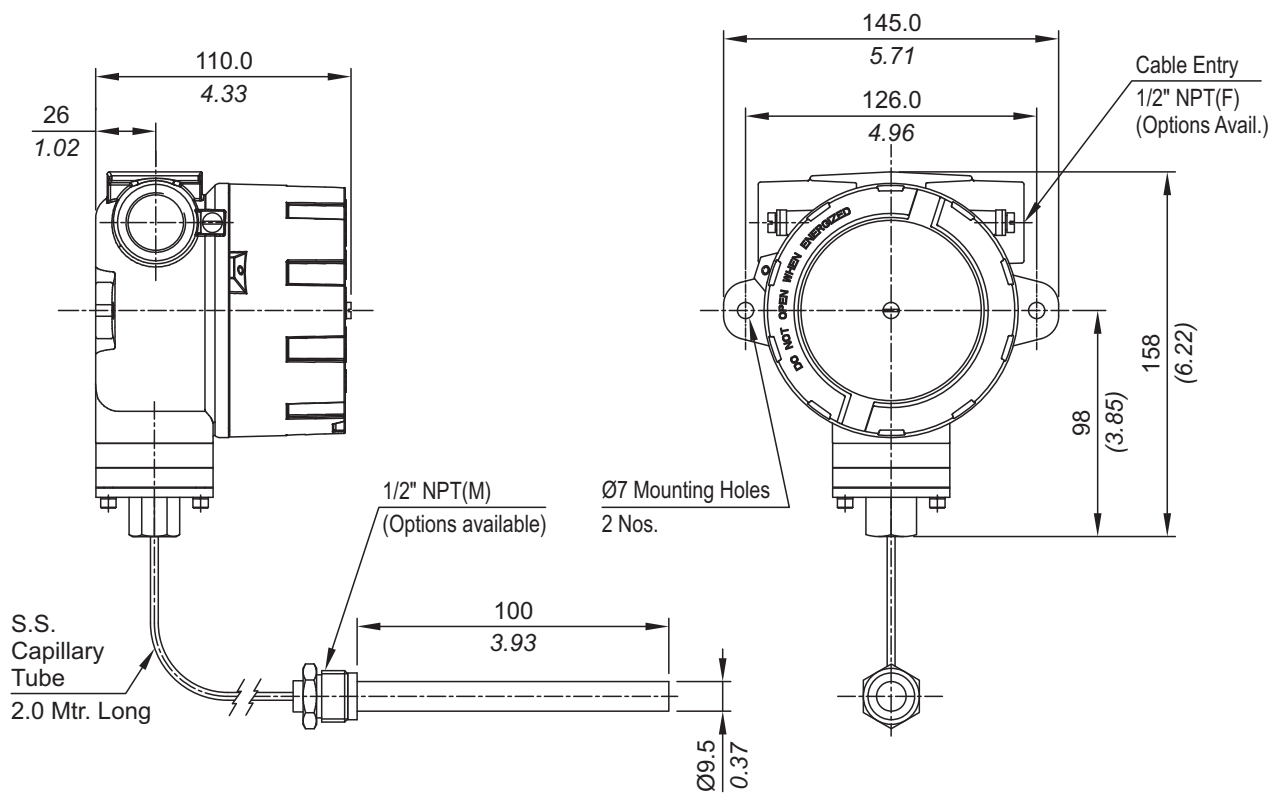
# TEMPERATURE SWITCHES FC/FE



**FE**



## INSTALLATION DRAWING



APPROX. DIMENSIONS IN  $\frac{\text{mm}}{\text{inches}}$