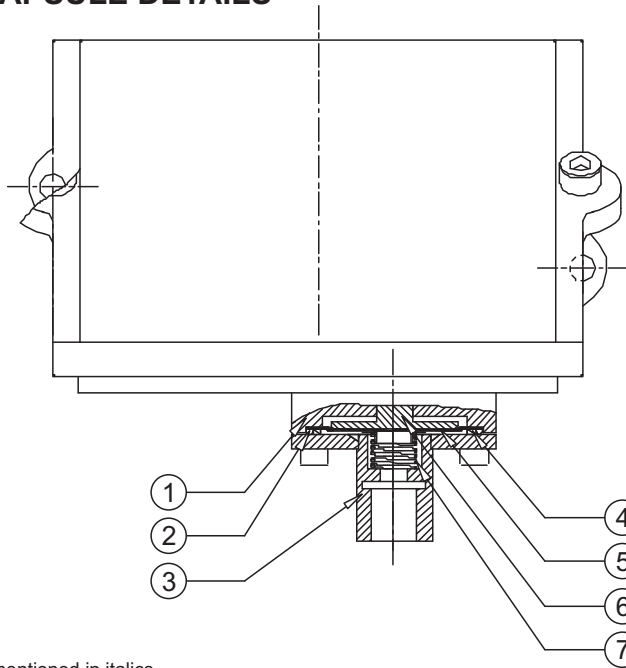


MT HIGH RANGE COMPOUND



PRESSURE CAPSULE DETAILS



No. Description

1. Disc
2. 'O' ring (Teflon®)
3. Pressure Housing
4. Steel Ring (SS316)
5. Diaphragm (Teflon®)
6. Plunger
7. Spring (SS316)

Note : *wetted parts* are mentioned in italics.

INSTALLATION DRAWING

