



PRESSURE SWITCHES
PRESSURE DIFFERENCE SWITCHES
VACUUM SWITCHES
From 1.5 mbar to 600 bar

MT Low Range Compound Switches

CATALOGUE

Certificate No.: FM72815

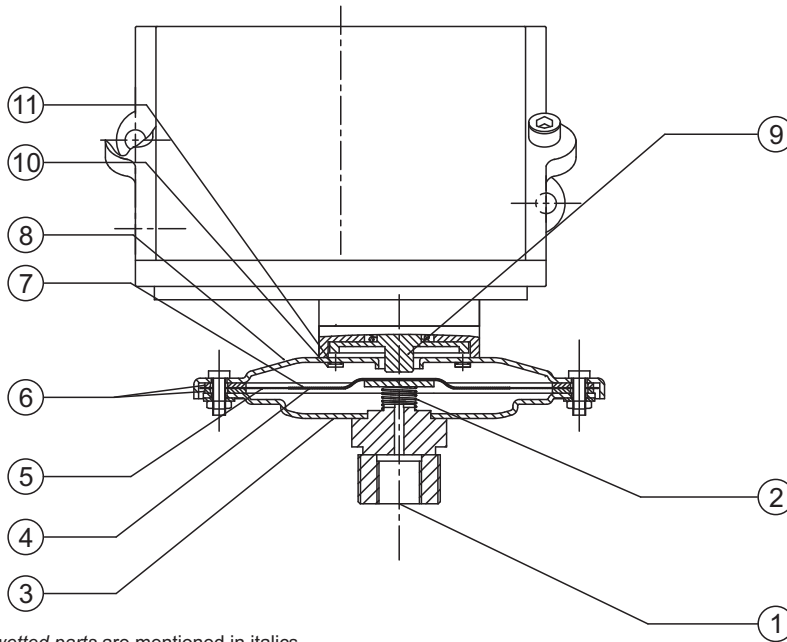


Kaustubha Udyog AN ISO9001:2008 COMPANY

S. No. 36/1/1, Sinhgad Road, Vadgaon Khurd,
Near Lokmat Press, Pune 411 041 INDIA
Tel. : +91-(0) 20-24393577 / 24393877
Telefax : +91-(0) 20-24393577 / 25460486
Email : pressure@vsnl.com

Website : <http://www.orion-instruments.com>

PRESSURE CAPSULE DETAILS



No. Description

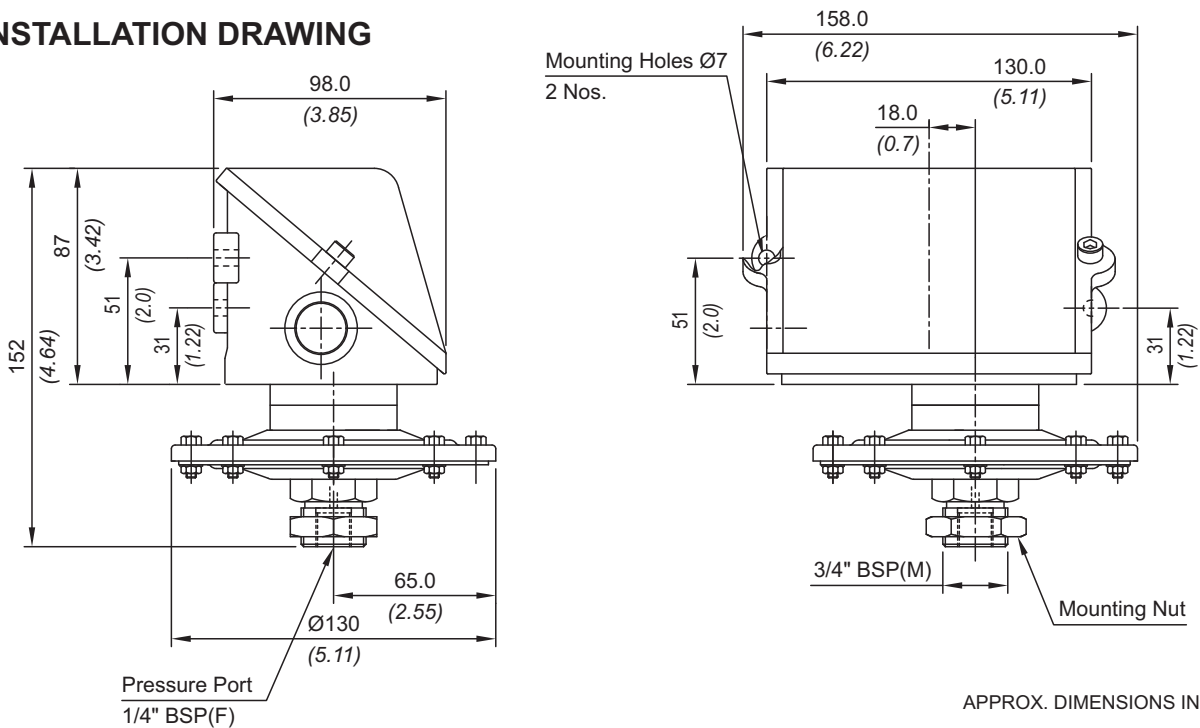
1. Pressure port (M.S.)*
2. Support spring (S.S.)
3. Bottom flange (M.S.)
4. Support plate (Aluminium)
5. Diaphragm (Neoprene)
6. Gasket (Nitrile)
7. Top plate (Aluminium)
8. Top flange (M.S.)
9. Plunger
10. Top flange screw (M.S.)
11. Sealing 'O' ring (Nitrile)

*Pressure port is brazed with flange

Note : *wetted parts* are mentioned in italics.

*Pressure ports are brazed with flange

INSTALLATION DRAWING



LOW RANGE COMPOUND SWITCHES **MT**

RANGE SELECTION TABLE

Range Code	Range mm wc ("wc)	Differential* mm wc ("wc)	Maximum Working Pressure bar (psi)
		Approximate Maximum for "A1" microswitch	
CL2	-150 to 150 (-5.905 to 5.905)	40 (1.605)	2 (29.00)
CL3	-250 to 250 (-9.842 to 9.842)	60 (2.410)	2 (29.00)

*Minimum differential increases with setpoint, values with neoprene diaphragm (Graphs available on request)

* Differentials of microswitches A2 through A9 will vary. Differentials for A7 are typically twice that for A1 microswitch. Please indicate specifically the differential value in enquiry/order, when it is critical in your application.

HOW TO ORDER INDUSTRIAL LOW RANGE COMPOUND SWITCHES

Group 1	Group 2	Group 3	Group 4	Group 5	Group 6	Group 7	Group 8
Non standard allocation	Gas Group Classification	Cable Entry Size	Switch Type	Range Code (values in mm wc)	Microswitch Type	Pressure Port Material / Size	Diaphragm
<input type="checkbox"/> Reserved for non-standard options not covered in catalogue. Will be given by manufacturer, only after agreement of supply details with customer.	MT = Industrial pressure switch with diecast Aluminium enclosure to IP66 as per IS2147	1 = 1/2" NPT threads 3 = M20 X 1.5 threads	CF1 = Compound switch, fixed differential with scale	CL2 = (-150 to 150) CL3 = (-250 to 250)	A1 = General purpose microswitch rated at 15 A; 250 VAC A2 = Hermetically sealed for corrosive environments A3 = gold plated contacts for low voltage applications A4 = DPDT configuration A5 = for high DC ratings A6 = elements with adjustable deadband A7 = 2SPDT switching elements A9 = General purpose microswitch rated at 5 A; 250 VAC * Some microswitches may not be available for particular ranges. Please check with sales office. Please refer page no. 230 for more microswitch options	S1 = SS316 / 1/4" BSP(F) S2 = SS316 / 1/4" NPT(F)	0 = Neoprene 1 = Teflon
						Please refer page no. 226 & 227 for more pressure port options	For additional wetted parts please refer Pressure Capsule Details on Page 167

eg. A flameproof switch for gas group IC, with 1/2" NPT cable entry in aluminium housing as 1SPDT pressure switch, having -150 to 150 mm wc pressure range, with 15Amp. microswitch, SS316 pressure housing with 1/4" BSP port size & neoprene diaphragm shall be specified by

Group 1	Group 2	Group 3	Group 4	Group 5	Group 6	Group 7	Group 8
<input type="checkbox"/>	MT	1	CF1	CL2	A1	S1	0

Please specify full model number to avoid ambiguity. If only the first two groups are specified while ordering, uncalibrated switches with standard wetted parts and enclosures will be supplied.