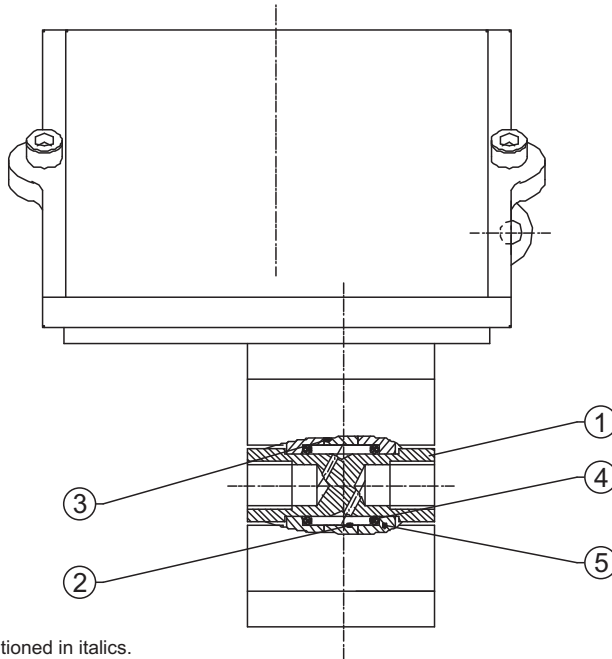


# MT HIGH RANGE DP



## PRESSURE CAPSULE DETAILS



- No. Description**
1. Pressure Housing
  2. Diaphragm
  3. Plunger
  4. O-Ring
  5. Disc

Note : *wetted parts* are mentioned in italics.

\*Pressure ports are brazed with flange

## INSTALLATION DRAWING

