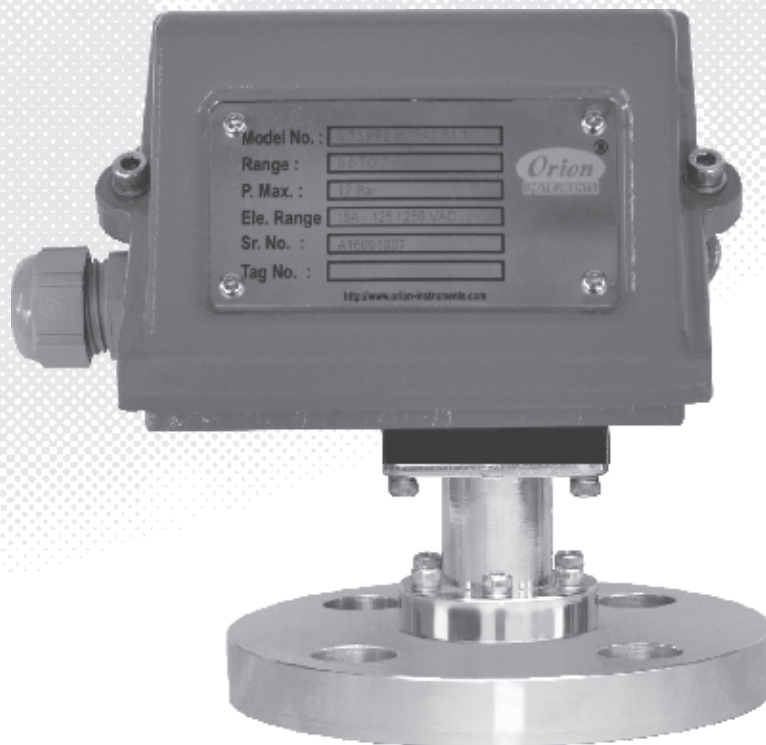




**PRESSURE SWITCHES  
PRESSURE DIFFERENCE SWITCHES  
VACUUM SWITCHES**  
From 1.5 mbar to 600 bar

# MT Flanged Pressure Switch

## CATALOGUE



Certificate No.: FM72815

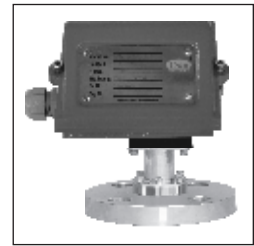


**Kaustubha Udyog** AN ISO9001:2008 COMPANY

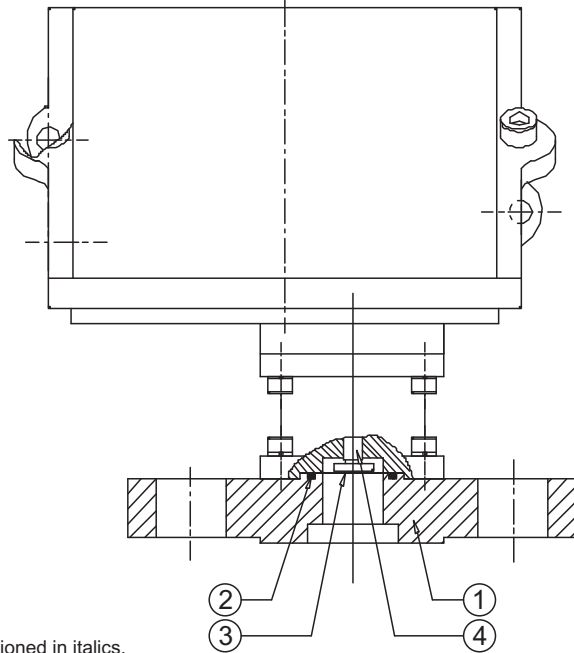
S. No. 36/1/1, Sinhgad Road, Vadgaon Khurd,  
Near Lokmat Press, Pune 411 041 INDIA  
Tel. : +91-(0) 20-24393577 / 24393877  
Telefax: +91-(0) 20-24393577 / 25460486  
Email : pressure@vsnl.com

Website : <http://www.orion-instruments.com>

BULLETIN NO. : KA170203



## PRESSURE CAPSULE DETAILS

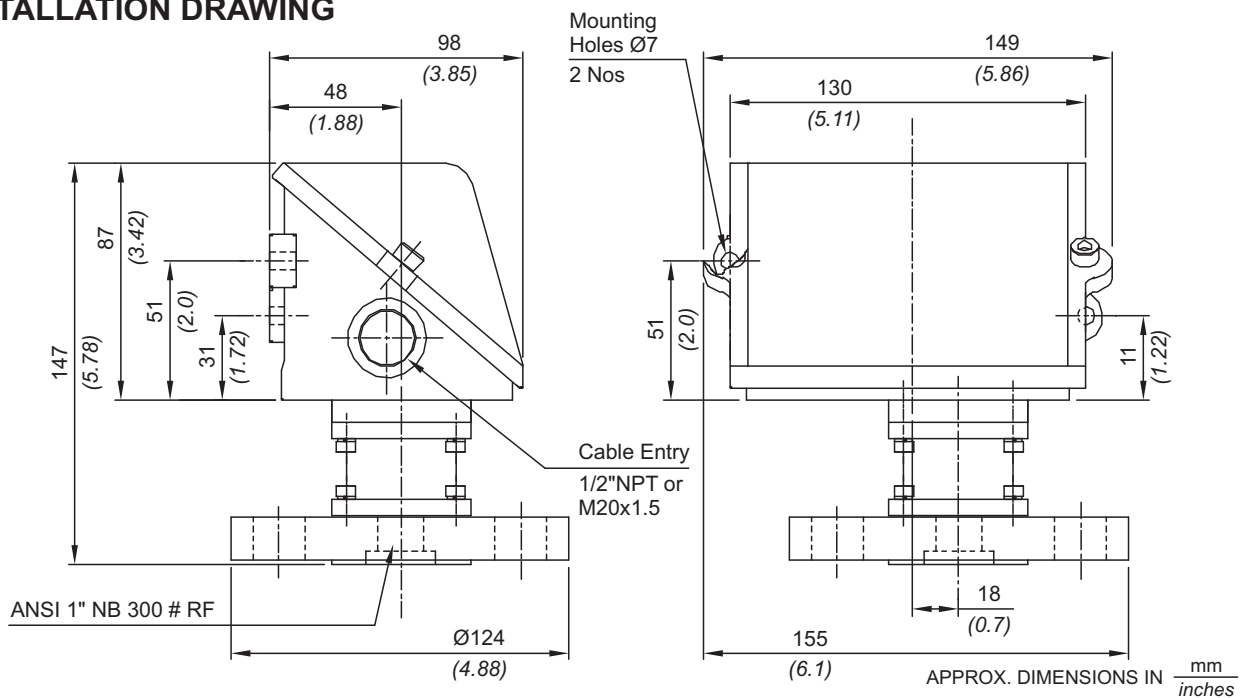


### No. Description

1. ANSI 300 RF Flange (SS316)
2. O-Ring (Teflon®)
3. Diaphragm
4. Conical Plunger

Note : *wetted parts* are mentioned in italics.

## INSTALLATION DRAWING



# FLANGED PRESSURE SWITCHES

# MT

## RANGE SELECTION TABLE

Range Code	Range bar (psi)	Differential* bar (psi)	Maximum Working Pressure bar (psi)
		Approximate Maximum for "A1" microswitch	
H01	0.1 - 1.0 (1.45 - 14.50)	0.10 (1.45)	As per the class of flange  Please consult Sales Office in case you need clarification on availability of maximum working pressure for a particular range.
H02	0.1 - 1.5 (1.45 - 21.76)	0.12 (1.74)	
H03	0.2 - 2.6 (2.90 - 37.71)	0.15 (2.17)	
H04	0.2 - 3.6 (2.90 - 52.21)	0.20 (2.90)	
H07	0.5 - 7.0 (7.25 - 101.50)	0.40 (5.80)	
H10	0.5 - 10.0 (7.25 - 145.04)	0.40 (5.80)	
H15	1.0 - 15.0 (14.50 - 217.56)	0.80 (11.60)	
H30	5.0 - 25.0 (72.52 - 362.6)	0.80 (11.60)	
H4T	5 - 40 (72.52 - 580.15)	5 (72.52)	
H1H	10 - 100 (145.04 - 1450.38)	12 (174.05)	
H2H	7 - 200 (101.53 - 2900.76)	24 (348.09)	

\* Minimum differential increases with setpoint (Graphs available on request)

\* Differentials of microswitches A2 through A9 will vary. Differentials for A7 are typically twice that for A1 microswitch. Please indicate specifically the differential value in enquiry/order, when it is critical in your application.

## FLANGE CODE TABLE

	SS316L		Hastelloy C276		Monel		Titanium		Tantalum	
	RF*	FF*	RF*	FF*	RF*	FF*	RF*	FF*	RF*	FF*
<b>150 #</b>										
1" NB	AC	BS	DI	EY	GO	IE	JU	LK	NA	OQ
2" NB	AF	BV	DL	FB	GR	IH	JX	LN	ND	OT
<b>300#</b>										
1" NB	AI	BY	DO	FE	GU	IK	KA	LQ	NG	OW
2" NB	AL	CB	DR	FH	GX	IN	KD	LT	NJ	OZ
<b>2500#</b>										
1" NB	BM	DC	ES	GI	HY	JO	LE	MU	OK	QA
2" NB	BP	DF	EV	GL	IB	JR	LH	MX	ON	QD

\*RF = Raised Face

\*FF = Flat Face

## RANGE AVAILABILITY AS PER BORE SIZES

	H01 to H04	H07	H10	H15	H30	H2T to H2H
1" NB	NA	Yes	Yes	Yes	Yes	Yes
2" NB	Yes	Yes	Yes	Yes	Yes	Yes

## HOW TO ORDER INDUSTRIAL FLANGED PRESSURE SWITCHES

Group 1	Group 2	Group 3	Group 4	Group 5	Group 6	Group 7	Group 8
<p>Non standard allocation</p> <p><input type="checkbox"/> Reserved for non-standard options not covered in catalogue. Will be given by manufacturer, only after agreement of supply details with customer.</p>	<p>Model</p> <p><b>MT</b> = Industrial pressure switch with diecast Aluminium enclosure to IP66 as per IS2147</p>	<p>Cable Entry Size</p> <p><b>1</b> = 1/2" NPT threads  <b>2</b> = 3/4" NPT threads  <b>3</b> = M20 X 1.5 threads</p>	<p>Switch Type ANSI flanged</p> <p><b>AF1</b> = pressure switch, fixed differential without scale  <b>AF2</b> = pressure switch, fixed differential with scale in bar  <b>AF3</b> = pressure switch, fixed differential with scale in psi  <b>AA1</b> = pressure switch, adjustable differential without scale  <b>AA2</b> = pressure switch, adjustable differential with scale in bar  <b>AA3</b> = pressure switch, adjustable differential with scale in psi  <small>*Available with A9 (in group 6) only</small></p>	<p>Range Code (values in bar)</p> <p><b>H01</b> = 0.1 - 1.0  <b>H02</b> = 0.1 - 1.5  <b>H03</b> = 0.2 - 2.6  <b>H04</b> = 0.2 - 3.6  <b>H07</b> = 0.5 - 7.0  <b>H10</b> = 0.5 - 10.0  <b>H15</b> = 1.0 - 15.0  <b>H30</b> = 5.0 - 25.0  <b>H4T</b> = 5 - 40  <b>H1H</b> = 10 - 100  <b>H2H</b> = 7 - 200</p>	<p>Microswitch Type</p> <p><b>A1</b> = General purpose microswitch rated at 15 A; 250 VAC  <b>A2</b> = Hermetically sealed for corrosive environments  <b>A3</b> = gold plated contacts for low voltage applications  <b>A4</b> = DPDT configuration  <b>A5</b> = for high DC ratings  <b>A7</b> = 2SPDT switching elements  <b>A9</b> = General purpose microswitch rated at 5 A; 250 VAC</p> <p>Please refer page no. 230 for more microswitch options  <small>* Please refer note under Range Selection Table</small></p>	<p>Flange Size and Material</p> <p>Please select as per Flange Code Table</p> <p>For other classes and sizes please refer page no. 228 &amp; 229</p>	<p>Diaphragm</p> <p><b>0</b> = Neoprene  <b>1</b> = Teflon  <b>2</b> = SS316L  <b>3</b> = Hastelloy C  <b>4</b> = Monel 400  <b>5</b> = Titanium  <b>6</b> = Tantalum</p>

eg. A high range Industrial/ANSI flanged pressure switch with 1/2" NPT cable entry with fixed differential without scale, having 0.1 bar to 1 bar pressure range, with 15-Amp. microswitch, and 2" 150# RF SS316L flange & SS316L diaphragm shall be specified by

Group 1	Group 2	Group 3	Group 4	Group 5	Group 6	Group 7	Group 8
<input type="checkbox"/>	MT	1	AF1	H01	A1	AF	2

Please specify full model number to avoid ambiguity.