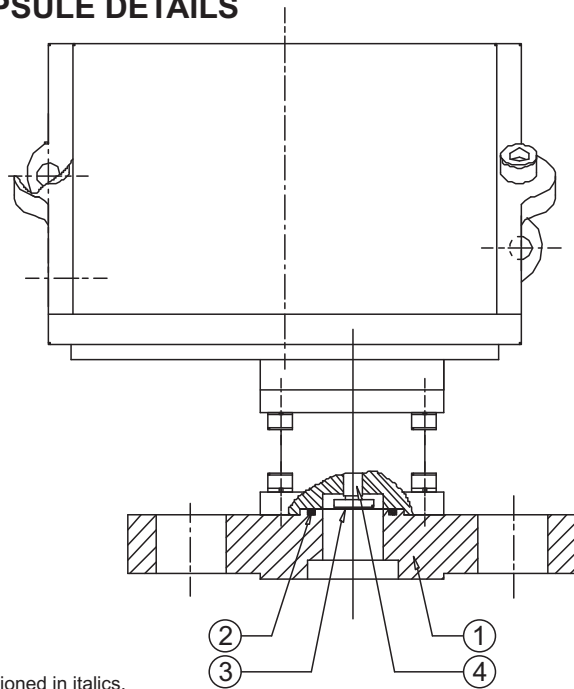


PRESSURE CAPSULE DETAILS



No. Description

1. ANSI 300 RF Flange (SS316)
2. O-Ring (Teflon®)
3. Diaphragm
4. Conical Plunger

Note : *wetted parts* are mentioned in italics.

INSTALLATION DRAWING

