



**PRESSURE SWITCHES**  
**PRESSURE DIFFERENCE SWITCHES**  
**VACUUM SWITCHES**  
From 1.5 mbar to 600 bar

# MT High Range Pressure Switches

## CATALOGUE

Certificate No.: FM72815



**Kaustubha Udyog** AN ISO9001:2008 COMPANY

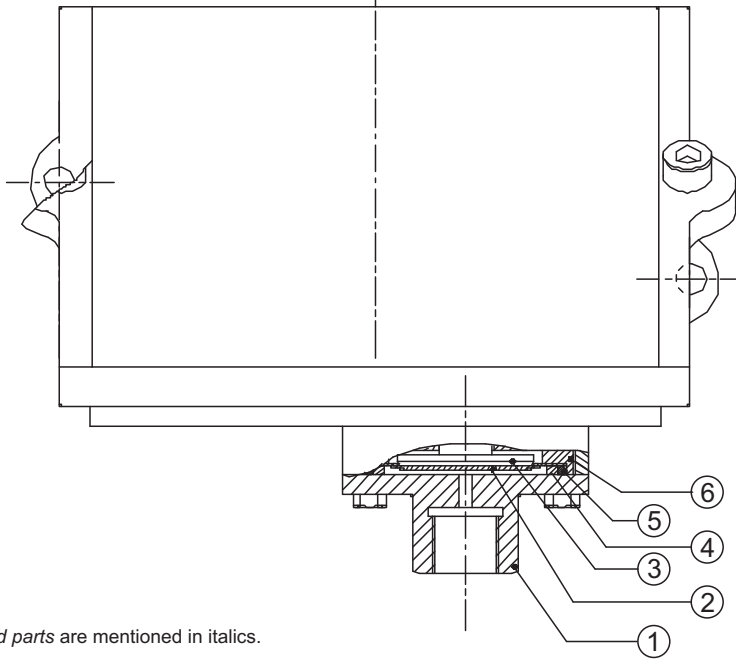
S. No. 36/1/1, Sinhgad Road, Vadgaon Khurd,  
Near Lokmat Press, Pune 411 041 INDIA  
Tel. : +91-(0) 20-24393577 / 24393877  
Telefax : +91-(0) 20-24393577 / 25460486  
Email : pressure@vsnl.com

Website : <http://www.orion-instruments.com>

# MT HIGH PRESSURE RANGES



## PRESSURE CAPSULE DETAILS



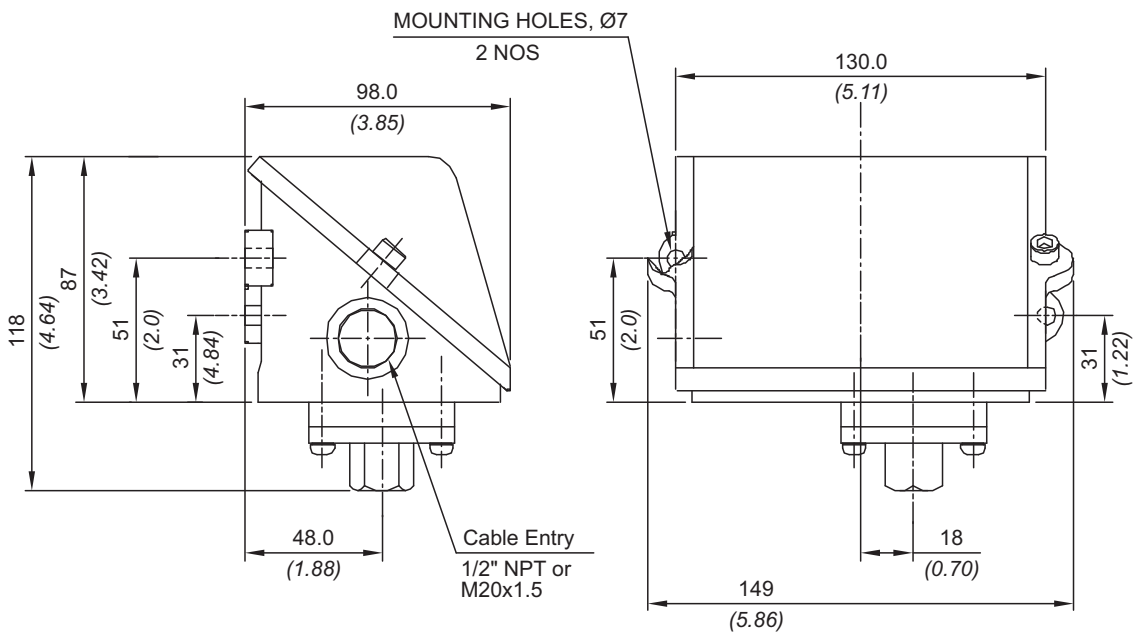
### No. Description

1. Pressure housing (SS 316)
2. Diaphragm (Teflon)
3. Plunger
4. Steel ring (SS 316)
5. 'O' ring (Teflon)
6. Disc

Note : *wetted parts* are mentioned in italics.

\*Pressure ports are brazed with flange

## INSTALLATION DRAWING



APPROX. DIMENSIONS IN  $\frac{\text{mm}}{\text{inches}}$

## RANGE SELECTION TABLE

Range Code	Range bar ( <i>psi</i> )	†Differential bar ( <i>psi</i> )	Maximum Working Pressure bar ( <i>psi</i> )
		Approximate Maximum for "A1" microswitch	
LP	0.067 - 0.213 (0.97 - 3.09)	0.02 (0.29)	5 (72.52)
LP5	0.1 - 0.5 (1.45 - 7.25)	0.08 (1.16)	5 (72.52)
H01	0.1 - 1.0 (1.45 - 14.50)	0.10 (1.45)	12 (174.05)
H02	0.1 - 1.5 (1.45 - 21.76)	0.12 (1.74)	12 (174.05)
H03	0.2 - 2.6 (2.90 - 37.71)	0.20 (2.90)	12 (174.05)
H04	0.2 - 3.6 (2.90 - 52.21)	0.20 (2.90)	12 (174.05)
H07	0.5 - 7.0 (7.25 - 101.50)	0.40 (5.80)	12 (174.05)
H10	0.5 - 10.0 (7.25 - 145.38)	0.40 (5.80)	25 (362.6)
H15	1.0 - 15.0 (14.5 - 217.56)	0.80 (11.60)	25 (362.6)
H30	5.0 - 25.0 (72.52 - 362.6)	0.80 (11.60)	35 (507.63)

\*Minimum differential increases with setpoint, values with neoprene diaphragm (Graphs available on request)

\* Differentials of microswitches A2 through A9 will vary. Differentials for A7 are typically twice that for A1 microswitch. Please indicate specifically the differential value in enquiry/order, when it is critical in your application.

### HOW TO ORDER INDUSTRIAL HIGH RANGE PRESSURE SWITCHES

Group 1	Group 2	Group 3	Group 4	Group 5	Group 6	Group 7	Group 8
Non standard allocation	Model	Cable Entry Size	Switch Type	Range Code (values in bar)	Microswitch Type	Pressure Port Material / Size	Diaphragm
<input type="checkbox"/> Reserved for non-standard options not covered in catalogue. Will be given by manufacturer, only after agreement of supply details with customer.	<b>MT</b> = Industrial pressure switch with diecast Aluminium enclosure to IP66 as per IS/IEC 60529	<b>1</b> = Al. head 1/2" NPT threads <b>3</b> = Al. head M20 X 1.5 threads	<b>PF2</b> = pressure switch, fixed differential with scale in bar <b>PF3</b> = pressure switch, fixed differential with scale in psi	<b>LP</b> = (0.067 - 0.213) <b>LP5</b> = (0.1 - 0.5) <b>H01</b> = (0.1 - 1.0) <b>H02</b> = (0.1 - 1.5) <b>H03</b> = (0.2 - 2.6) <b>H04</b> = (0.2 - 3.6) <b>H07</b> = (0.5 - 7.0) <b>H10</b> = (0.5 - 10.0) <b>H15</b> = (1.0 - 15.0) <b>H30</b> = (5.0 - 25.0)	<b>A1</b> = General purpose microswitch rated at 15 A; 250 VAC <b>A2</b> = Hermetically sealed for corrosive environments <b>A3</b> = gold plated contacts for low voltage applications <b>A4</b> = DPDT configuration <b>A5</b> = for high DC ratings <b>A7</b> = 2SPDT switching elements <b>A9</b> = General purpose microswitch rated at 5 A; 250 VAC  Please refer page no. 230 for more microswitch options * Please refer note under Range Selection Table	<b>S1</b> = SS316 / 1/4" BSP(F) <b>S2</b> = SS316 / 1/4" NPT(F)	<b>0</b> = Neoprene <b>1</b> = Teflon <b>2</b> = SS 316L <b>3</b> = Hastelloy C <b>4</b> = Monel

eg. Industrial switch with 1/2" NPT cable entry in aluminium housing as 1SPDT pressure switch, fix differential with scale having 0.1 bar to 1 bar pressure range, with 15Amp. microswitch, SS316 pressure housing with 1/4" BSP port size & neoprene diaphragm shall be specified by

Group 1	Group 2	Group 3	Group 4	Group 5	Group 6	Group 7	Group 8
<input type="checkbox"/>	MT	1	PF2	H01	A1	S1	0

Please specify full model number to avoid ambiguity.