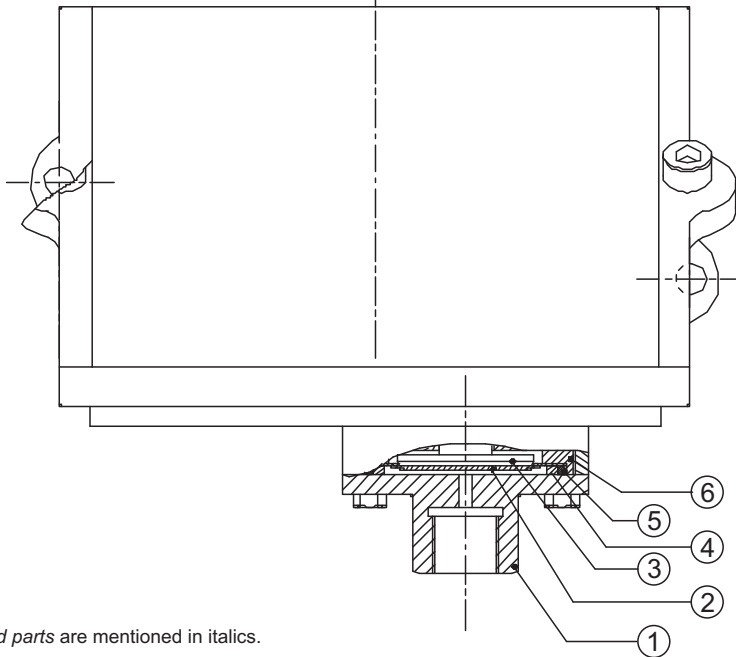


MT HIGH PRESSURE RANGES



PRESSURE CAPSULE DETAILS



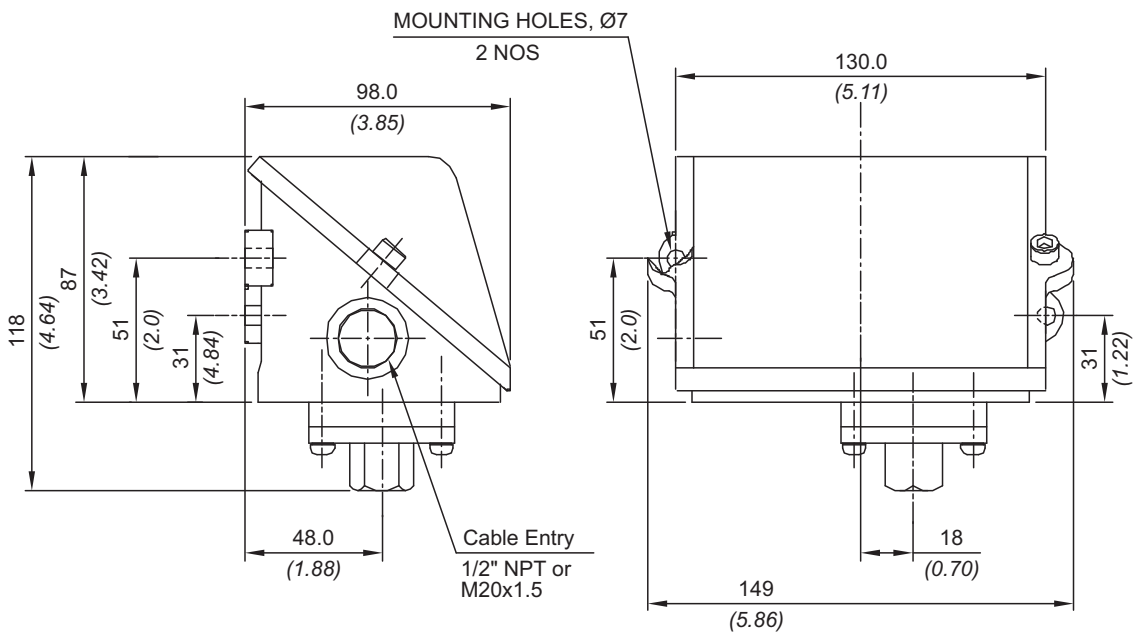
No. Description

1. Pressure housing (SS 316)
2. Diaphragm (Teflon)
3. Plunger
4. Steel ring (SS 316)
5. 'O' ring (Teflon)
6. Disc

Note : *wetted parts* are mentioned in italics.

*Pressure ports are brazed with flange

INSTALLATION DRAWING



APPROX. DIMENSIONS IN $\frac{\text{mm}}{\text{inches}}$