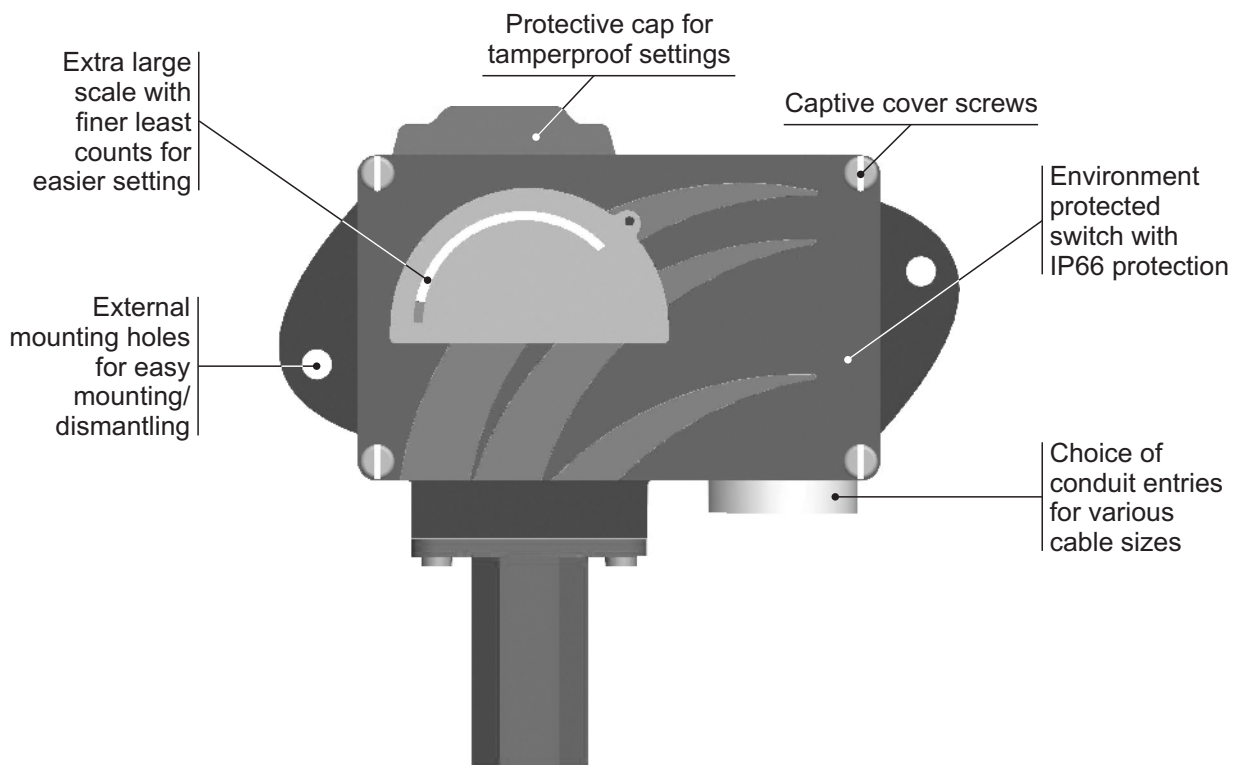
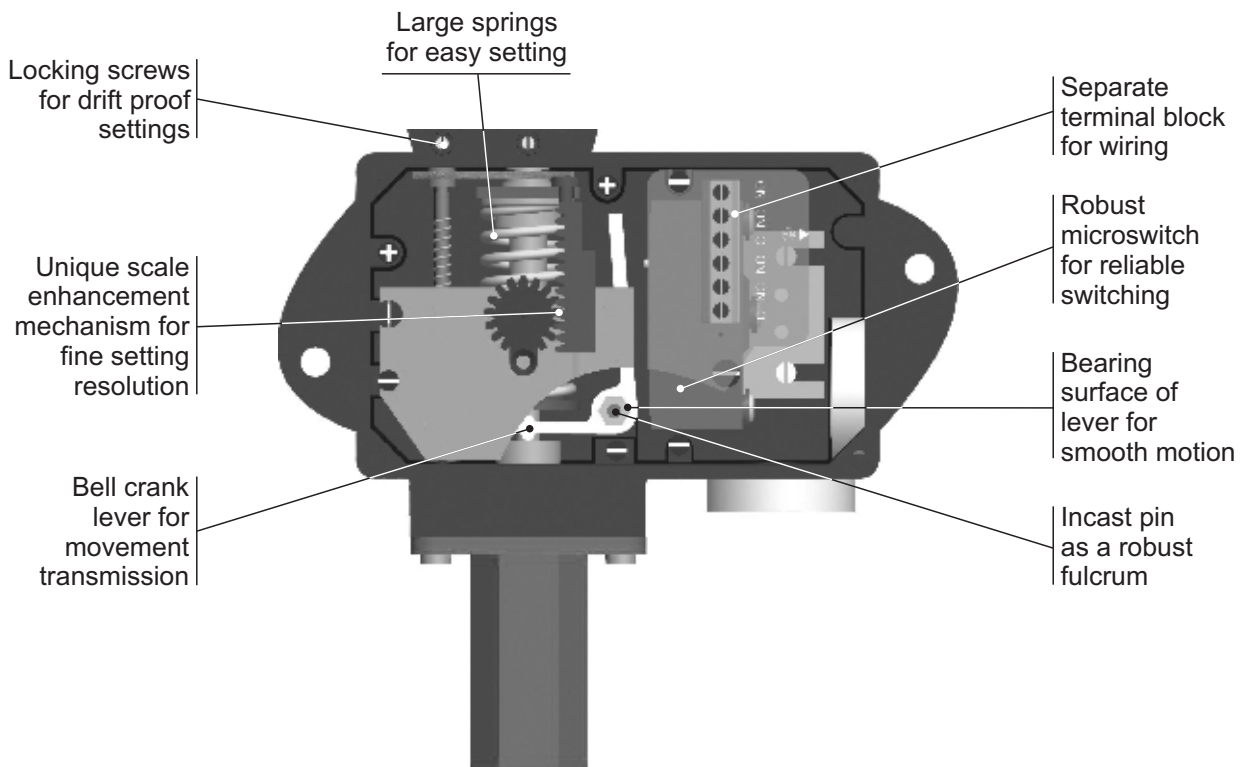


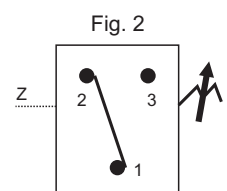
MD HYDRAULIC RANGE PRESSURE SWITCHES



Approximate Weight : 0.850 Kg.

Some Applications : Used where oil is a working medium.

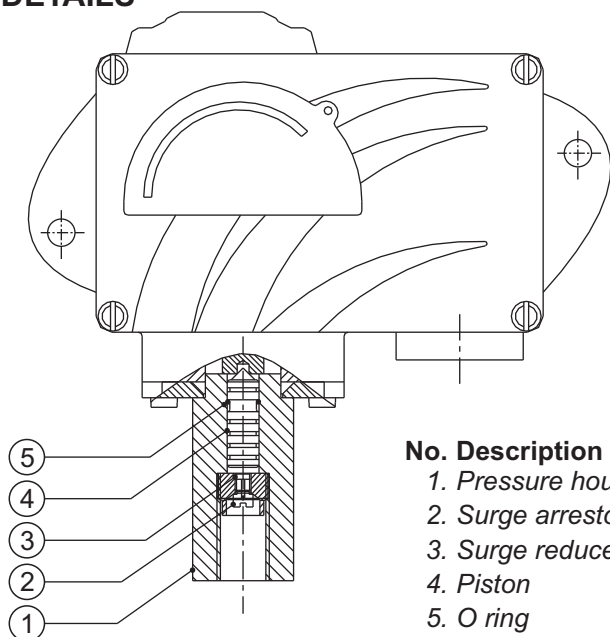
Electrical Connection :



HYDRAULIC RANGE PRESSURE SWITCHES MD



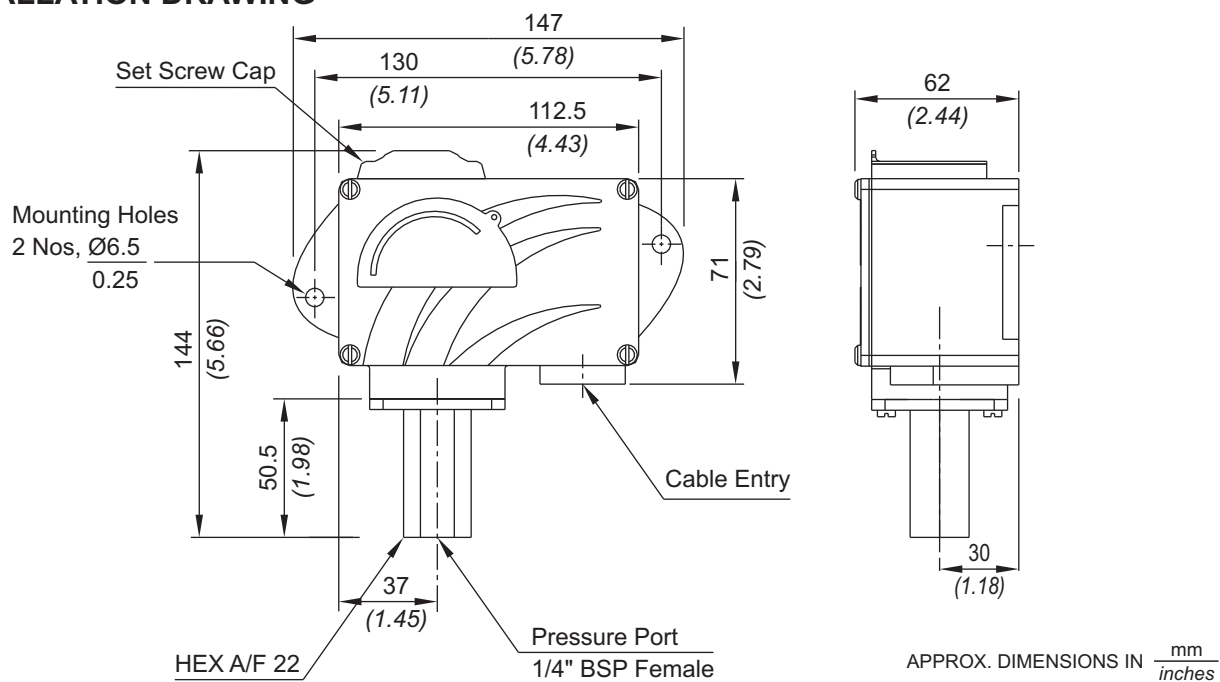
PRESSURE CAPSULE DETAILS



- No. Description**
1. Pressure housing
 2. Surge arrester
 3. Surge reducer
 4. Piston
 5. O ring

Note : *wetted parts* are mentioned in italics.

INSTALLATION DRAWING



MD HYDRAULIC RANGE PRESSURE SWITCHES

RANGE SELECTION TABLE

Range Code	Range bar (psi)	Differential* bar (psi)	Maximum Working Pressure bar (psi)
		Approximate Maximum for "A1" microswitch	
040	5 - 40 (72.52 - 580.15)	5 (72.52)	80 (1160.30)
100	10 - 100 (145.04 - 1450.38)	12 (174.05)	120 (1740.45)
200	7 - 200 (101.53 - 2900.76)	24 (348.09)	200 (2900.76)
350	35 - 350 (507.63 - 5076.33)	30 (435.11)	500 (7251.9)
400	100 - 400 (1450.38 - 5801.52)	30 (435.11)	400 (5801.52)

*Minimum differential increases with setpoint (Graphs available on request)

*** Note :**

Microswitches A2 through A7 can be supplied in some ranges and differentials will vary with microswitch used. Please contact sales office for details. Please check availability of adjustable differential with sales office.

HOW TO ORDER INDUSTRIAL HYDRAULIC RANGE PRESSURE SWITCHES

Group 1	Group 2	Group 3	Group 4	Group 5	Group 6	Group 7	Group 8
Non standard allocation	Model	Cable Entry Size	Switch Type	Range Code (values in bar)	Microswitch Type	Pressure Port Material / Size	Piston
<input type="checkbox"/> Reserved for non-standard options not covered in catalogue. Will be given by manufacturer, only after agreement of supply details with customer.	MD = Industrial pressure switch with diecast Aluminium enclosure to IP66 as per IS2147	1 = 1/2" NPT threads 2 = 3/4" NPT threads 3 = M20 X 1.5 threads	PF1 = pressure switch, fixed differential without scale PF2 = pressure switch, fixed differential with scale in bar PF3 = pressure switch, fixed differential with scale in psi *PA1 = pressure switch, adjustable differential without scale *PA2 = pressure switch, adjustable differential with scale in bar *PA3 = pressure switch, adjustable differential with scale in psi *Available with A9 (in group 6) only	040 = (5 - 40) 100 = (10 - 100) 200 = (7 - 200) 350 = (35 - 350) 400 = (100 - 400)	A1 = General purpose microswitch rated at 15 A; 250 VAC *A2 = Hermetically sealed for corrosive environments *A3 = gold plated contacts for low voltage applications *A4 = DPDT configuration *A5 = for high DC ratings *A7 = 2SPDT switching elements *A9 = General purpose microswitch rated at 5 A; 250 VAC Please refer page no. 230 for more microswitch options * Please refer note under Range Selection Table	S1 = SS316 / 1/4" BSP(F) S2 = SS316 / 1/4" NPT(F)	2 = SS

eg. A hydraulic weatherproof switch, with 1/2" NPT cable entry in aluminium housing as 1SPDT pressure switch, fixed differential without scale, having 5 bar to 40 bar pressure range, with 15Amp. microswitch, SS316 pressure housing with 1/4" BSP port size shall be specified by

Group 1	Group 2	Group 3	Group 4	Group 5	Group 6	Group 7	Group 8
<input type="checkbox"/>	MD	1	PF1	040	A1	S1	-

Please specify full model number to avoid ambiguity.