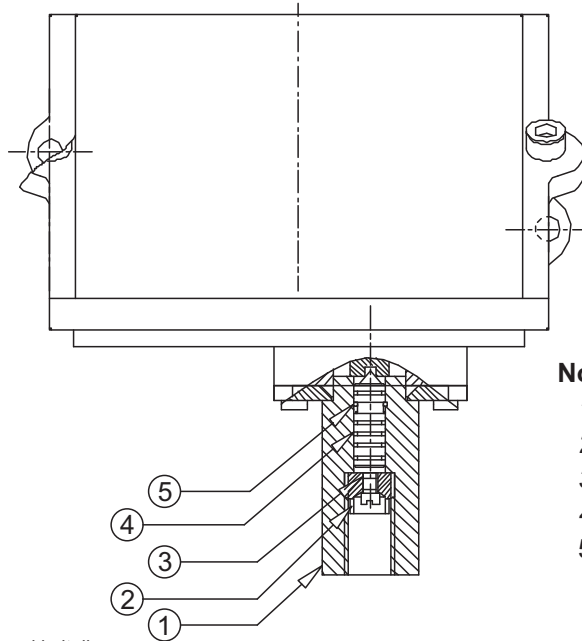


## PRESSURE CAPSULE DETAILS



### No. Description

1. Pressure housing
2. Surge arrestor
3. Surge reducer
4. Piston
5. 'O' ring

Note : *wetted parts* are mentioned in italics.

\*Pressure ports are brazed with flange

## INSTALLATION DRAWING

