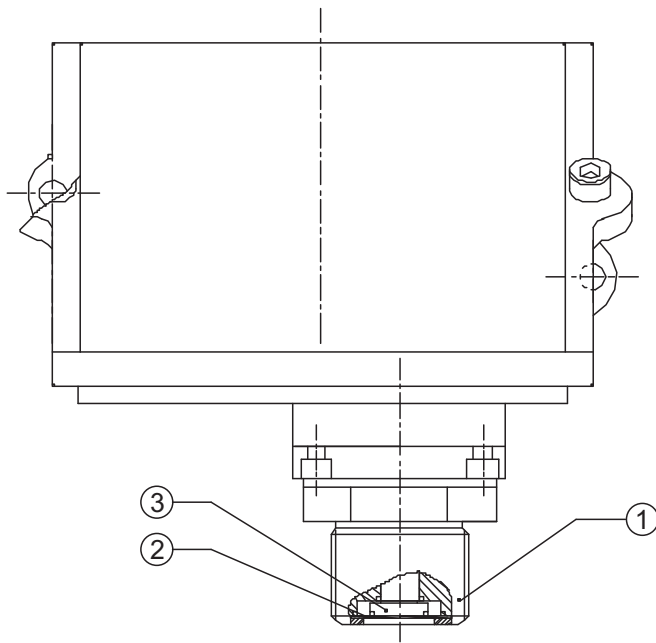




## PRESSURE CAPSULE DETAILS



### No. Description

1. Pressure housing (SS316)
2. Diaphragm (SS316)
3. Plunger (SS316)

Note : *wetted parts* are mentioned in italics.

\*Pressure ports are brazed with flange

## INSTALLATION DRAWING

