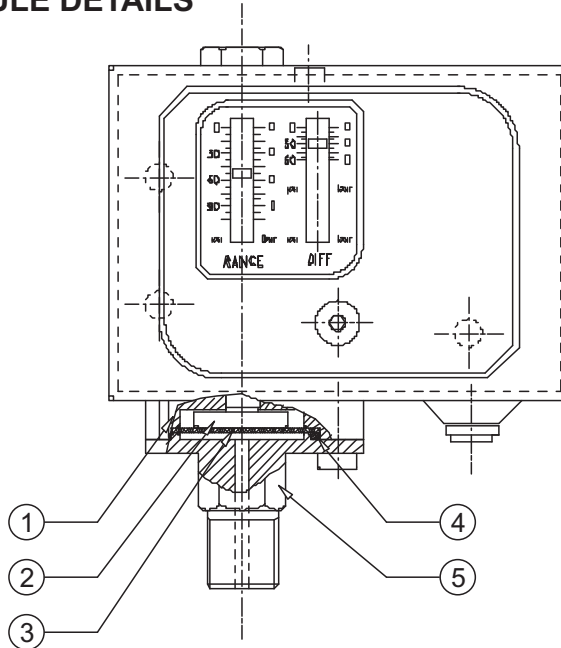


KU OEM HIGH RANGE PRESSURE SWITCHES



PRESSURE CAPSULE DETAILS

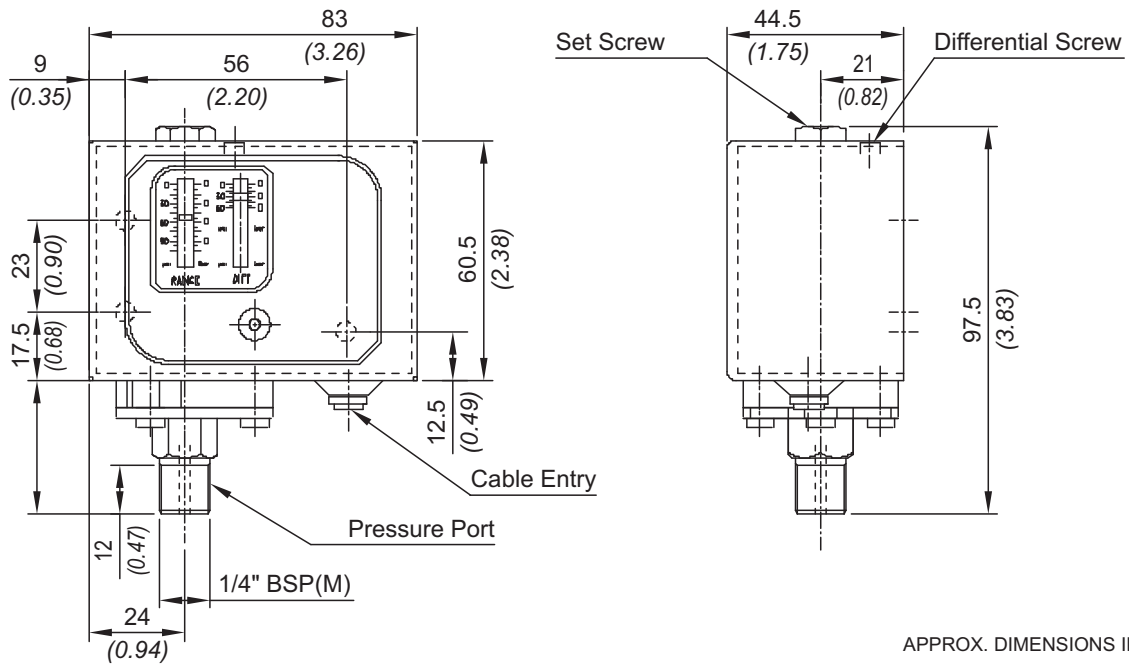


No. Description

1. Disc
2. Plunger
3. Diaphragm (Teflon®)
4. 'O' ring (Teflon®)
5. Pressure Housing (SS316)

Note : *wetted parts* are mentioned in italics.

INSTALLATION DRAWING



APPROX. DIMENSIONS IN $\frac{\text{mm}}{\text{inches}}$